

# ***Amana***<sup>®</sup>

## **Over-The-Range Microwave Oven Owner's Manual, Cooking Guide, & Installation Instructions**

**MVH250E  
MVH250W  
MVH250L**

**Attention:**

Keep these instructions for future reference.  
If microwave oven changes ownership, be sure  
this manual accompanies microwave oven.

# Table Of Contents

---

<b>TABLE OF CONTENTS</b> .....	<b>2</b>	Auto Cook .....	15
<b>SAFETY</b> .....	<b>3</b>	Cooking Guide for Auto Cook .....	16
Precautions To Avoid Possible Exposure To Excessive Microwave Energy .....	3	Auto Reheat .....	17
Important Safety Instructions.....	4,5	Cooking Guide for Auto Reheat .....	17
<b>INFORMATION</b> .....	<b>6</b>	Auto Defrost .....	18
Location of Model Number .....	6	Defrosting Tips .....	18
Model Identification .....	6	Auto Defrost Chart .....	19
Parts and Accessories .....	6	Time Defrost .....	21
Service .....	6	Two Position Metal Rack .....	21
Asure™ Extended Service Plan.....	6	<b>COOKING</b> .....	<b>22</b>
Electrical Requirements .....	6	Getting the Best Cooking Results .....	22
Grounding Instructions.....	6	Fish & Shellfish .....	22
Microwave Oven Features .....	7	Appetizers/Sauces/Soups.....	23
Oven Specifications .....	7	Meat .....	23
Oven Control Panel.....	8	Poultry.....	25
<b>OPERATION</b> .....	<b>10</b>	Pasta And Rice .....	26
Learn About Your Microwave Oven .....	10	<b>MAINTENANCE</b> .....	<b>27</b>
Help.....	10	Care And Cleaning.....	27
Clock.....	10	Metal Rack .....	27
Kitchen Timer.....	10	Cleaning the Grease Filters .....	27
Control Set-Up .....	10	Charcoal Filter Replacement .....	27
Vent Hi-Low-Off .....	11	Cooktop/Night Light Replacement .....	28
Turntable On-Off.....	11	Oven Light Replacement .....	28
Child Lock .....	11	<b>MICROWAVE UTENSIL GUIDE</b> .....	<b>29</b>
Light Hi-Low-Off.....	11	<b>BEFORE CALLING FOR SERVICE</b> .....	<b>30</b>
Light Timer .....	11	<b>QUESTIONS AND ANSWERS</b> .....	<b>30</b>
Easy Cook™ .....	12	<b>INSTALLATION</b> .....	<b>31</b>
Hold Warm.....	12	Your Safety First .....	31
Favorite Recipe.....	12	Parts, Tools, Materials .....	34
More/Less .....	12	Step 1 : Prepare the Electrical Connections ....	36
Cooking at High Cook Power.....	13	Step 2 : Prepare the Venting System.....	37
Cooking at Lower Power Levels .....	13	Step 3 : Prepare the Venting Blower.....	39
Cooking with More Than One Cook Cycle.....	13	Step 4 : Prepare the Wall and Upper Cabinet for Installation .....	41
Cooking Guide for Lower Power Levels.....	14	Step 5 : Install the Mounting Plate .....	43
Popcorn.....	15	Step 6 : Attach the Oven to the Wall.....	44
Potato.....	15	<b>WARRANTY</b> .....	<b>46</b>
Pizza .....	15		
Beverage.....	15		

### **PRECAUTIONS TO AVOID POSSIBLE EXPOSURE TO EXCESSIVE MICROWAVE ENERGY...**

- (a) Do not attempt to operate this oven with the door open since open-door operation can result in harmful exposure to microwave energy. It is important not to defeat or tamper with the safety interlocks.
- (b) Do not place any object between the oven front face and the door or allow soil or cleaner residue to accumulate on sealing surfaces.
- (c) Do not operate the oven if it is damaged. It is particularly important that the oven door closes properly and that there is no damage to the:
  - (1) Door (bent),
  - (2) Hinges and latches (broken or loosened),
  - (3) Door seals and sealing surfaces.
- (d) The oven should not be adjusted or repaired by anyone except properly qualified service personnel.

# Safety

## IMPORTANT SAFETY INSTRUCTIONS

The safety instructions below will tell you how to use your oven and avoid harm to yourself or damage to your oven.

### **WARNING**

To reduce the risk of burns, electric shock, fire, injury to persons, or exposure to excessive microwave energy.

- **Read all the instructions before using your oven.**
- **Do not allow children to use this oven without close supervision.**
- Read and follow the specific **PRECAUTIONS TO AVOID POSSIBLE EXPOSURE TO EXCESSIVE MICROWAVE ENERGY** found on page 3.
- **Do not use** corrosive chemicals or vapors, such as sulfide and chloride, in this appliance. This type of oven is specifically designed to heat, cook, or dry food. It is not designed for industrial or laboratory use.
- **Do not use or store** this appliance outdoors. Do not use this product near water - for example, near a kitchen sink, in a wet basement, or near a swimming pool, and the like.
- **Do not use** the cavity for storage purposes. Do not leave paper products, cooking utensils, or food in the cavity when not in use.
- **Clean the ventilating hood frequently.** Do not allow grease to accumulate on the hood or the filters.
- Use care when cleaning the vent hood filters. Corrosive cleaning agents such as lye-based oven cleaners, may damage the filters.
- **Do not tamper with the built-in safety switches on the oven door.** The oven has several built-in safety switches to make sure the power is off when the door is open.
- When flaming foods under the hood, turn the fan on.
- Suitable for use above both gas and electric cooking equipment 36 inches wide or less.
- **Do not use this oven for commercial purposes.** It is made for household use only.
- **When cleaning the door and the surfaces that touch the door, use only mild, non-abrasive soaps or detergents and a sponge or soft cloth.**
- **If your oven is dropped or damaged,** have it thoroughly checked by a qualified service technician before using it again.
- **To avoid a fire hazard:**
  - **Do not overcook food.** Overcooked foods can start a fire in the oven. Watch the oven carefully, especially if you have paper, plastic, or other combustibles in the oven.
  - **Do not store combustible items (bread, cookies, etc.) in the oven.**
  - **Do not use wire twist-ties in the oven.** Be sure to inspect purchased items for wire twist-ties and remove them before placing the item in the oven.
- **If a fire should start:**
  - **Keep the oven door closed.**
  - **Turn the oven off.**
  - **Disconnect the power cord or shut off the power at the fuse or circuit breaker panel.**
- **To avoid electric shock:**
  - **This appliance must be grounded.** Connect it only to a properly grounded outlet. See the electrical **GROUNDING INSTRUCTIONS** on page 6.
  - **Do not operate this appliance if it has a damaged cord or plug,** if it is not working properly or if it has been damaged or dropped.
  - **Do not immerse the electrical cord or plug in water.**
  - **Keep the cord away from heated surfaces.**
  - **Do not use extension cord.**

# Safety

---

- **To avoid improperly cooking some foods.**
  - **Do not heat any types of baby bottles or baby food.** Uneven heating may occur and possibly cause personal injury.
  - **Do not heat small-necked containers,** such as syrup bottles.
  - **Do not deep-fat fry in your microwave oven.**
  - **Do not attempt home canning in your microwave oven.**
  - **Do not heat the following items in the microwave oven:** whole eggs in the shell, water with oil or fat, sealed containers, or closed glass jars. These items may explode.
- Do not cover or block any openings in the oven.
- Use your oven only for the operations described in this manual.
- Do not run the oven empty, without food in it.
- Do not let cord hang over edge of table or counter.
- **Preserve the oven floor:**
  - **Do not heat the oven floor excessively.**
  - **Do not** allow the gray film on special microwave-cooking packages to touch the oven floor. Put the package on a microwavable dish.
  - **Do not** cook anything directly on the oven floor or turntable. Use a microwavable dish.
  - Keep a browning dish at least 3/16 inch above floor. Carefully read and follow the instructions for the browning dish. If you use a browning dish incorrectly, you could damage the oven floor.
- Install or locate this appliance only in accordance with the provided installation instructions.
- This appliance should be serviced only by qualified service personnel. Contact the nearest authorized service facility for examination, repair, or adjustment.

## SAVE THESE INSTRUCTIONS

### FEDERAL COMMUNICATIONS COMMISSION RADIO FREQUENCY INTERFERENCE STATEMENT ( U.S.A. ONLY)

This equipment generates and uses ISM frequency energy and if not installed and used properly, that is in strict accordance with the manufacturer's instructions, may cause interference to radio and television reception. It has been type tested and found to comply with limits for ISM Equipment pursuant to part 18 of FCC Rules, which are designed to provide reasonable protection against such interference in a residential installation. However, there is no guarantee that interference will not occur in a particular installation. If this equipment does cause interference to radio or television reception, which can be determined by turning the equipment off and on, the user is encouraged to try to correct the interference by one or more of the following:

- Reorient the receiving antenna of the radio or television.
- Relocate the Microwave Oven with respect to the receiver.
- Move the microwave oven away from the receiver.
- Plug the microwave oven into a different outlet so that the microwave oven and the receiver are on different branch circuits.

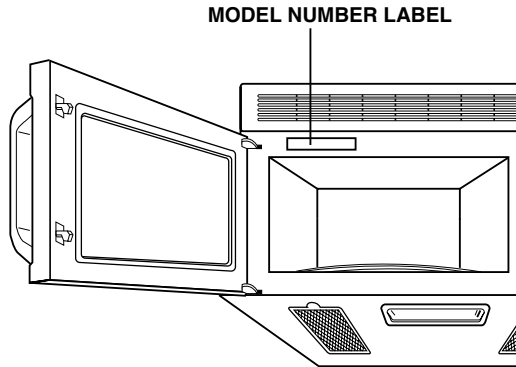
**The manufacturer** is not responsible for any radio or TV interference caused by **unauthorized modification** to this microwave oven. It is the responsibility of the user to correct such interference.

# Information

Please read this owner's manual. It will tell you how to use all the fine features of this microwave oven.

## LOCATION OF MODEL NUMBER

To request service information or replacement parts, the service center will require the complete model number of your microwave oven. The number is on the oven front as shown in the illustration below.



## MODEL IDENTIFICATION

Complete enclosed registration card and promptly return. If registration card is missing, call Consumer Affairs Department at 1-800-843-0304 inside U.S.A. 1-319-622-5511 outside U.S.A. When contacting Amana, provide product information located on rating plate. Record the following:

Model Number : \_\_\_\_\_  
Manufacturing Number : \_\_\_\_\_  
Serial or S/N Number : \_\_\_\_\_  
Date of purchase : \_\_\_\_\_  
Dealer's name and address : \_\_\_\_\_  
\_\_\_\_\_  
\_\_\_\_\_

## PARTS AND ACCESSORIES

Purchase replacement parts and additional accessories (e.g., refrigerator shelves, dryer racks, or cooktop modules) over the phone. To order accessories for your Amana product, call 1-800-843-0304 inside U.S.A. or 1-319-622-5511 outside U.S.A.

## SERVICE

Keep a copy of sales receipt for future reference or in case warranty service is required. Any questions or to locate an authorized servicer, call 1-800-NAT-LSVC (1-800-628-5782) inside U.S.A. 1-319-622-5511 outside U.S.A. Warranty service must be performed by an authorized servicer. Amana, also recommends contacting an authorized service if service is required after warranty expires.

## ASURE™ EXTENDED SERVICE PLAN

Amana offers long-term service protection for this new oven. Asure™ Extended Service Plan is specially designed to supplement Amana's strong warranty. This plan covers parts, labor, and travel charges. Call 1-800-528-2682 for information.

## ELECTRICAL REQUIREMENTS

The oven is designed to operate on a Standard 120V/60Hz household outlet. Be sure the circuit is at least 15 or 20A and the microwave oven is the **only appliance on the circuit**. It is not designed for 50Hz or any circuit other than a 120V/60Hz circuit.

## GROUNDING INSTRUCTIONS

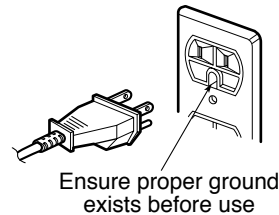
**This appliance must be grounded.** If an electrical short circuit occurs, grounding reduces the risk of electric shock by providing an escape wire for the electric current. The cord for this appliance has a grounding wire with a grounding plug. Put the plug into an outlet that is properly installed and grounded. Do not use extension cord.

### WARNING

**If you use the grounding plug improperly, you risk electric shock.**

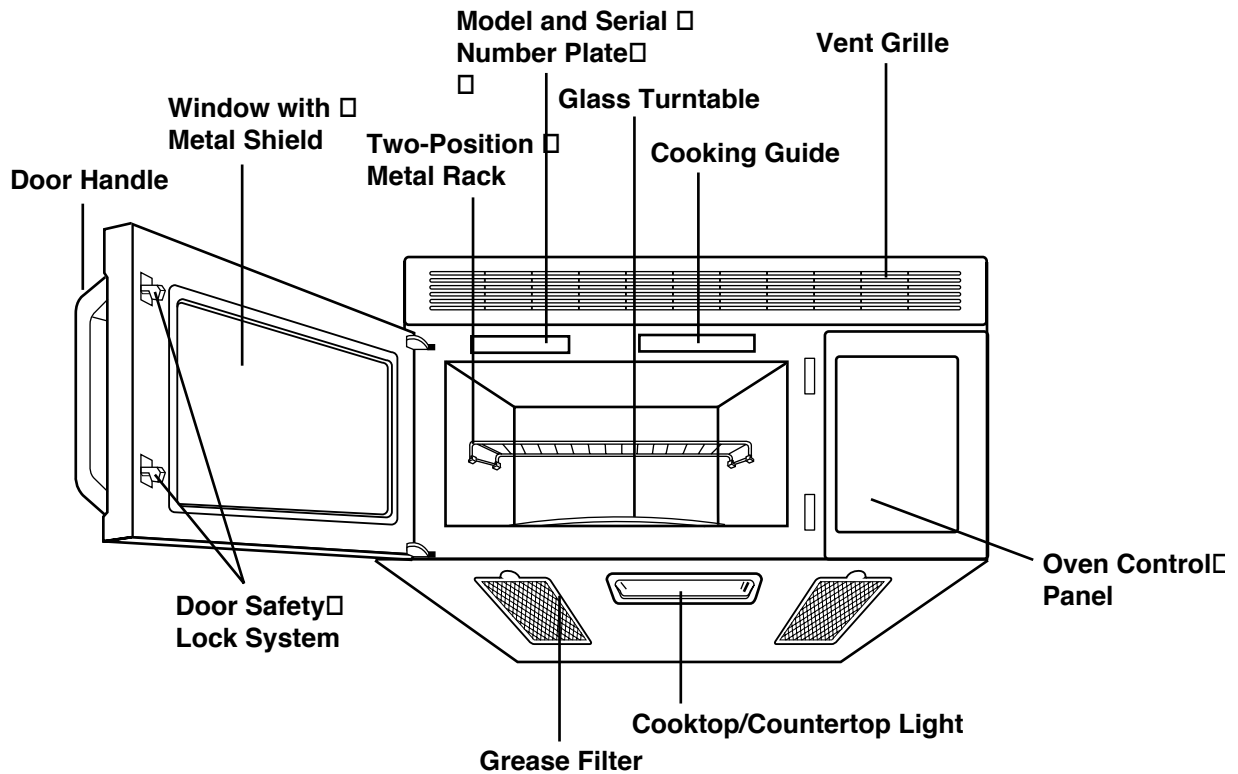
Ask a qualified electrician if you do not understand the grounding instructions or if you wonder whether the appliance is properly grounded.

Because this appliance fits under the cabinet, it has a short power-supply cord. See the Installation Instructions for directions on placing the cord properly. Keep the electrical power cord dry and do not pinch or crush it in any way.



# Information

## MICROWAVE OVEN FEATURES

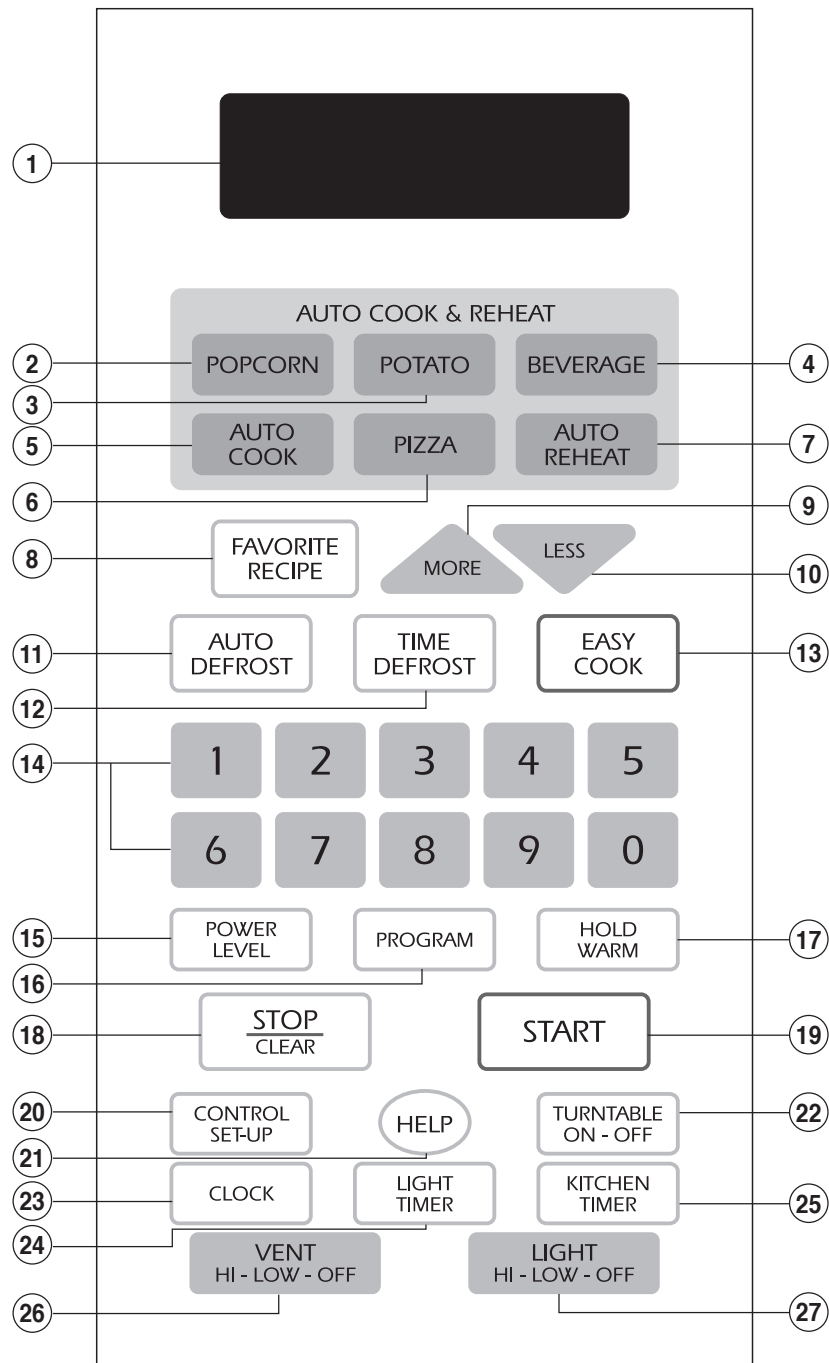


## OVEN SPECIFICATIONS

Power Supply	120 VAC, 60 Hz
Input Power	1,500 W
Cooking Power	1,000 W (IEC705 Standard)
Frequency	2,450 MHz
Rated Current	14 A
Outer Dimensions	29-15/16" x 16-7/16" x 15-3/8"
Cavity Volume	1.5 Cu. Ft
Net Weight	65 lbs

# Information

## OVEN CONTROL PANEL





# Information

---

- 1. DISPLAY:** The display includes a clock and indicators to tell you time of day, cooking time settings, and cooking functions selected.
- 2. POPCORN:** Touch this pad when popping popcorn in your microwave oven. See page 15 for more information.
- 3. POTATO:** Touch this pad to cook from 1 to 4 potatoes. See page 15 for more information.
- 4. BEVERAGE:** Touch this pad to reheat one or two cups of a beverage. See page 15 for more information.
- 5. AUTO COOK:** Touch this pad to cook vegetables, rice, casseroles. See page 15 for more information.
- 6. PIZZA:** Touch this pad to reheat 1 to 3 slices. See page 15 for more information.
- 7. AUTO REHEAT:** Touch this pad to reheat dinner plate, soup/sauce, casseroles, roll/muffin. See page 17 for more information.
- 8. FAVORITE RECIPE:** Touch this pad to recall one cooking instruction previously programmed into memory. See page 12 for more information.
- 9. MORE:** Touch this pad to add ten seconds of cooking time each time you press it. See page 12 for more information.
- 10. LESS:** Touch this pad to subtract ten seconds of cooking time each time you press it. See page 12 for more information.
- 11. AUTO DEFROST:** Meat, poultry, fish. Touch on pad to select food type and defrost food by weight. See page 18 for more information.
- 12. TIME DEFROST:** Touch this pad to defrost most other frozen foods. See page 21 for more information.
- 13. EASY COOK:** Touch this pad to set and start quickly at 100% power level. See page 12 for more information.
- 14. NUMBER:** Touch number pads to enter cooking time, power level, quantities, or weights.
- 15. POWER LEVEL:** Touch this pad to select a cooking power level.
- 16. PROGRAM:** Touch this pad to set a cooking time.
- 17. HOLD WARM:** Touch this pad to keep hot, cooked foods warm in your microwave oven for up to 99 minutes 99 seconds. See page 12 for more information.
- 18. STOP/CLEAR:** Touch this pad to stop the oven or to clear all entries.
- 19. START:** Touch this pad to start a function. If you open the door after oven begins to cook, START again.
- 20. CONTROL SET-UP:** Touch this pad to change the oven's default settings for sound, clock, display speed, defrost weight, and demo mode operations. See page 10 for more information.
- 21. HELP:** Touch this pad to learn how to use each oven function. See page 10 for more information.
- 22. TURNTABLE ON-OFF:** Touch this pad to turn off the turntable. **OFF** will appear in the display. See page 11 for more information.
- 23. CLOCK:** Touch this pad to enter the time of day. See page 10 for more information.
- 24. LIGHT TIMER:** Touch this pad to set the light timer. See page 11 for more information.
- 25. KITCHEN TIMER:** Touch this pad to set the kitchen timer. See page 10 for more information.
- 26. VENT HI-LOW-OFF:** Touch this pad to turn the fan on or off. See page 11 for more information.
- 27. LIGHT HI-LOW-OFF:** Touch this pad to turn on the cooktop/countertop light. See page 11 for more information.

# Operation

## LEARN ABOUT YOUR MICROWAVE OVEN

This section discusses the concepts behind microwave cooking and introduces you to the basics you need to know to operate your microwave oven. Please read this information before use.



**CAUTION**

**DO NOT RUN THE OVEN EMPTY.**

### HELP

The **HELP** pad displays feature information and helpful hints. Press **HELP**, then select a key pad.

Example: To learn about **POPCORN**.

1. Touch **HELP** pad.

2. Touch **POPCORN** pad.

### KITCHEN TIMER

You can use your microwave oven as a timer. Use the **Timer** for timing up to 99 minutes, 99 seconds.

Example: To time 3 minutes.

1. Touch **KITCHEN TIMER** pad.

2. Enter the time by using the number key pad.

3. Touch **START** pad. When the time is over, you will hear seven beeps and **END** will display.

### CLOCK

This oven includes a 24-hour clock.

Example: To set 8:00 AM.

1. Touch **CLOCK** pad. (Press once for AM, twice for PM.)

2. Enter the time by using the number key pad.

3. Touch **CLOCK** pad.

### CONTROL SET-UP

You can change the default values for beep sound, clock, display speed, defrost weight, and demo mode operations.

See following chart for more information.

NUMBER	FUNCTION	NUMBER	RESULT
1	Beep ON/OFF control	1	Sound ON
		2	Sound OFF
2	Clock display control	1	Clock ON
		2	Clock OFF
3	Display	1	Slow speed
		2	Normal speed
		3	Fast speed
4	Defrost weight mode select	1	Lbs.
		2	Kg.
5	Demo mode select	1	Demo ON
		2	Demo OFF

Example: To change defrost weight mode. (from Lbs. to Kg.)

1. Touch **CONTROL SET-UP** pad.

2. Touch number **4** pad.

3. Touch number **2** pad.

# Operation

## VENT HI-LOW-OFF

VENT  
HI - LOW - OFF

The VENT moves steam and other vapors from the cooking surface. Touch VENT once for High fan speed, twice for Low fan speed, or three times to turn the fan off.

**NOTE:** If the temperature gets too hot around the microwave oven, the fan in the vent hood will automatically turn on at the LOW setting to cool the oven. It may stay on up to an hour to cool the oven. When this occurs, **You can not turn the vent fan off.**

## TURNTABLE ON-OFF

TURNTABLE  
ON - OFF

For best cooking results, leave the turntable on. It can be turned off for large dishes. Press TURNTABLE ON-OFF to turn the turntable on or off.

**NOTE:**

- Sometimes the turntable can become hot to touch. Be careful touching the turntable during and after cooking.
- Do not run the oven empty.

## CHILD LOCK

You may lock the control panel to prevent the microwave from being accidentally started or used by children.

The Child Lock feature is also useful when cleaning the control panel. Child Lock prevents accidental programming when wiping the control panel.

Example: To set the child lock.

STOP  
CLEAR

1. Touch **STOP/CLEAR** pad.

0

2. Touch and hold **0** pad more than 4 seconds. **LOCKED** will appear in the display window with two beeps.

Example: To cancel the child lock.

0

1. Touch and hold **0** pad more than 4 seconds. **LOCKED** will disappear and you hear two beeps. At this time the oven is ready.

## LIGHT HI-LOW-OFF

LIGHT  
HI - LOW - OFF

Touch **LIGHT** pad once for bright light, twice for night light, or three times to turn the light off.

## LIGHT TIMER

You can set the LIGHT to turn on and off automatically at any time you want. The light comes on at the same time every day until reset.

Example: Turn on 2:00 AM, turn off 7:00 AM.

LIGHT  
TIMER

1. Touch **LIGHT TIMER** pad.  
(Press once for AM,  
twice for PM.)

2

0

0

2. Enter the time you want the  
LIGHT to turn on.

LIGHT  
TIMER

3. Touch **LIGHT TIMER** pad  
again.  
(Press once for AM,  
twice for PM.)

7

0

0

4. Enter the time you want the  
LIGHT to turn off.

START

5. Touch **START** pad.

**NOTE:** To reset that time to turn on and off the LIGHT, repeat steps 1 to 5.


Example: To cancel the LIGHT TIMER.

LIGHT  
TIMER

1. Touch **LIGHT TIMER** pad.

STOP  
CLEAR

2. Touch **STOP/CLEAR** pad.

**NOTE:** If you want to cancel the LIGHT TIMER in operation, you should touch  key.

# Operation

## EASY COOK™

A time-saving pad, this simplified control lets you quickly set and start microwave cooking without the need to touch **START** pad.

Example: To set EASY COOK™ for 2 minutes.



1. Touch **EASY COOK™** pad 4 times.  
The oven begins cooking and display shows time counting down.

### NOTE:

If you touch **EASY COOK™**, it will add 30 seconds up to 3 minutes; after 3 minutes, every touch will add 1 minute up to 99 min 59 seconds.

## HOLD WARM

You can keep cooked food warm in your microwave oven for up to 99 minutes 99 seconds. You can use **HOLD WARM** by itself or to follow a cooking cycle automatically.

Example: To use the hold warm.



1. Touch **HOLD WARM** pad.



2. Touch **START** pad.

### NOTES:

- **HOLD WARM** operates for up to 99 minutes 99 seconds.
- **Food cooked covered** should be covered during **HOLD WARM**.
- **Pastry items** (pies, turnovers, etc.) should be uncovered during **HOLD WARM**.
- **Complete meals** kept warm on a dinner plate could be covered during **HOLD WARM**.

### To make **HOLD WARM** automatically follow another cycle:

- While you are programming the cooking instructions, touch **HOLD WARM** before touching **START**.
- When the last cooking cycle is over, you will hear two tones and “WARM” will appear in the oven display.
- You can set **HOLD WARM** to follow **AUTO DEFROST**, or multi-cycle cooking.

## FAVORITE RECIPE

**FAVORITE RECIPE** lets you recall one cooking instruction previously placed in memory and begin cooking quickly.

Example: To cook for 2 minutes.



1. Touch **FAVORITE RECIPE** pad.



2. Enter the cook time.



3. Touch **START** pad.

Example: To recall the favorite recipe.



1. Touch **FAVORITE RECIPE** pad.



2. Touch **START** pad.  
When the cook time is over, you will hear four beeps and **END** will display.

## MORE/LESS

By using the **MORE** or **LESS** keys, all of the pre-programmed cook and time cook features can be adjusted to cook food for a longer or shorter time. Pressing **MORE** will add 10 seconds of cooking time each time you press it. Pressing **LESS** will subtract 10 seconds of cooking time each time you press it.

Example: To adjust the 1.75 oz POPCORN cooking time for a longer time.



1. Touch **POPCORN** pad.



2. Touch number **1** pad.



3. Touch **MORE** pad.

# Operation

## COOKING AT HIGH COOK POWER

Example: To cook food for 8 minutes 30 seconds.

8

3

0

1. Enter the cook time.

START

2. Touch **START** pad.

When the cook time is over,  
you will hear four beeps and  
**END** will display.

## COOKING AT LOWER POWER LEVELS

HIGH power cooking does not always give you the best results with foods that need slower cooking, such as roasts, baked goods, or custards. Your oven has 10 power settings in addition to HIGH.

Example: To cook food for 7 minutes 30 seconds at 70% power.

7

3

0

1. Enter the cook time.

POWER  
LEVEL

2. Touch **POWER LEVEL** pad.

7

3. Enter the power level.

START

4. Touch **START** pad.

When the cook time is over,  
you will hear four beeps and  
**END** will display.

## COOKING WITH MORE THAN ONE COOK CYCLE

For best results, some recipes call for one Power Level for a certain length of time, and another Power Level for another length of time. Your oven can be set to change from one to another automatically, for up to three cycles if the first heating cycle is defrost or the last at 0% power.

Example: To cook food for 3 minutes at 100% power and then 70% power for 7 minutes 30 seconds.

3

0

0

1. Enter the first cook time.

PROGRAM

2. Touch **PROGRAM** pad.

7

3

0

3. Enter the second cook time.

POWER  
LEVEL

4. Touch **POWER LEVEL** pad.

7

5. Enter the power level.

START

6. Touch **START** pad.

When the cook time is over,  
you will hear four beeps and  
**END** will display.

# Operation

## COOKING GUIDE FOR LOWER POWER LEVELS

The 10 power levels in addition to HIGH allow you to choose the best power level for the food you are cooking. Below are listed all the power levels,

examples of foods best cooked at each level, and the amount of microwave power you are using.

POWER LEVEL	MICROWAVE OUTPUT	USE
10 HIGH	100%	<ul style="list-style-type: none"> <li>• Boil water.</li> <li>• Cook ground beef.</li> <li>• Make candy.</li> <li>• Cook fresh fruits and vegetables.</li> <li>• Cook fish and poultry.</li> <li>• Preheat browning dish.</li> </ul>
9	90%	<ul style="list-style-type: none"> <li>• Reheat meat slices quickly.</li> <li>• Saute onions, celery, and green pepper.</li> </ul>
8	80%	<ul style="list-style-type: none"> <li>• All reheating.</li> <li>• Cook scrambled eggs.</li> </ul>
7	70%	<ul style="list-style-type: none"> <li>• Cook breads and cereal products.</li> <li>• Cook cheese dishes, veal.</li> <li>• Cook cakes, muffins, brownies, cupcakes.</li> </ul>
6	60%	<ul style="list-style-type: none"> <li>• Cook pasta.</li> </ul>
5	50%	<ul style="list-style-type: none"> <li>• Cook meats, whole poultry.</li> <li>• Cook custard.</li> <li>• Cook whole chicken, turkey, spare ribs, rib roast, sirloin roast.</li> </ul>
4	40%	<ul style="list-style-type: none"> <li>• Cook less tender cuts of meat.</li> <li>• Reheat frozen convenience foods.</li> </ul>
3	30%	<ul style="list-style-type: none"> <li>• Thawing meat, poultry, and seafood.</li> <li>• Cooking small quantities of food.</li> <li>• Finish cooking casserole, stew, and some sauces.</li> </ul>
2	20%	<ul style="list-style-type: none"> <li>• Soften butter and cream cheese.</li> <li>• Heating small amounts of food.</li> </ul>
1	10%	<ul style="list-style-type: none"> <li>• Soften ice cream.</li> <li>• Raise yeast dough.</li> </ul>
0		<ul style="list-style-type: none"> <li>• Standing time.</li> </ul>

# Operation

## POPCORN

POPCORN lets you pop 1.75, 3.0, and 3.5 ounce bags of commercially packaged microwave popcorn. Pop only one package at a time. If you are using a microwave popcorn popper, follow manufacturer's instructions. To set your microwave oven correctly, follow this chart:

Bag Size-ounces	1.75	3.0	3.5
Touch NUMBER	1	2	3

Example: To pop a 3.0 oz. bag.

POPCORN

1. Touch **POPCORN** pad.

2

2. Touch number **2** pad.  
When the cook time is over, you will hear four beeps and **END** will display.

## POTATO

POTATO lets you cook potatoes with preset times and cook powers. You can choose from 1 to 4 potatoes.

### NOTE:

- Cooking times are based on an average 8 ounce potato.
- Before baking, pierce potato with fork several times.
- After baking, let stand for 5 minutes.

Example: To cook 2 Potatoes.

POTATO

1. Touch **POTATO** pad.

2

2. Touch number **2** pad.  
When the cook time is over, you will hear four beeps and **END** will display.

## PIZZA

PIZZA lets you reheat up to 3 slices pizza. A slice is based on a 5 ounce slice.

Example: To reheat 1 slice pizza.

PIZZA

1. Touch **PIZZA** pad.

1

2. Touch number **1** pad.  
When the cook time is over, you will hear four beeps and **END** will display.

## BEVERAGE

BEVERAGE lets you heat up to 2 beverages.

### NOTE:

- Reheat times based on an 8 ounce cup.
- Beverage may be very hot; remove from oven with care.

Example: To reheat one 8 oz. beverage.

BEVERAGE

1. Touch **BEVERAGE** pad.

1

2. Touch number **1** pad.  
When the cook time is over, you will hear four beeps and **END** will display.

## AUTO COOK

AUTO COOK provides four preset categories for cooking.

Example: To cook 2 cups of Rice.

AUTO COOK

1. Touch **AUTO COOK** pad.

3

2. Choose food category.

Category	Touch pad number
Fresh vegetable	1
Frozen vegetable	2
Rice	3
Casserole	4

2

3. Enter quantity/servings.

Category	Number of cups
Fresh vegetable	1 - 4 cups
Frozen vegetable	1 - 4 cups
Rice	1 - 2 cups
Casserole	1 - 4 cups

When the cook time is over, you will hear four beeps and **END** will display.

# Operation

## COOKING GUIDE FOR AUTO COOK

CODE	CATEGORY	QUANTITY	DIRECTIONS
1	FRESH VEGETABLE	1 cup Vegetables and 2 tbsp water	Place in a microwavable bowl or casserole. Add water according to the quantity. Cover with plastic wrap and vent. Let stand 5 minutes.
		2 cups Vegetables and 1/4 cup of water	
		3 cups Vegetables and 1/3 cup of water	
		4 cups Vegetables and 1/2 cup of water	
2	FROZEN VEGETABLE	1 cup	Place in a microwavable bowl or casserole. Cover with plastic wrap and vent. Let stand 5 minutes.
		2 cups	
		3 cups	
		4 cups	
3	RICE	1 cup of long grain rice and 2 1/4 cups of water	In large microwavable casserole, combine water, rice, margarine and salt. Cover with microwavable lid or plastic wrap and vent. After cooking, let stand covered for 5 minutes.
		2 cups of long grain rice and 4 1/4 cups of water	
4	CASSEROLE	1 cup	Place in a microwavable bowl or casserole. Cover with plastic wrap and vent.
		2 cups	
		3 cups	
		4 cups	



# Operation

## AUTO REHEAT

AUTO REHEAT provides four preset categories for reheating.

Example: To reheat 2 servings of Dinner plate.

**AUTO REHEAT**

**1**

2. Choose food category.

Category	Touch pad number
Dinner plate	1
Soup/sauce	2
Casserole	3
Roll/Muffin	4

**2**

3. Enter quantity/servings.

Category	Number of cups/Items
Dinner plate	1 - 2 servings
Soup/sauce	1 - 4 cups
Casserole	1 - 4 cups
Roll/Muffin	1 - 4 pieces

When the cook time is over, you will hear four beeps and **END** will display.

## COOKING GUIDE FOR AUTO REHEAT

CODE	CATEGORY	SERVING AMOUNT	DIRECTION
1	DINNER PLATE	1 serving	Place on a low plate. Cover with vented plastic wrap.
		2 servings	
2	SOUP/SAUCE	1 cup	Place in shallow microwavable casserole. Cover with vented plastic wrap.
		2 cups	
		3 cups	
		4 cups	
3	CASSEROLE	1 cup	Place in a microwavable bowl or casserole. Cover with plastic wrap.
		2 cups	
		3 cups	
		4 cups	
4	ROLL/MUFFIN	1 piece	Place on paper towel. Do not cover.
		2 pieces	
		3 pieces	
		4 pieces	

# Operation

## AUTO DEFROST

Your microwave oven is preset with three defrost sequences. Using AUTO DEFROST is the best way to defrost frozen foods. The Auto Defrost Sequence Table below provides some basic guidelines for using the three defrost sequences.

Example: To defrost 1.2 lbs. of ground beef.

**AUTO DEFROST** 1. Touch **AUTO DEFROST** pad.

**1** 2. Choose food category.

Category	Touch pad number
Meat	1
Poultry	2
Fish	3

**1** **2** 3. Enter the weight.

**START** 4. Touch **START** pad.

**NOTE:** When you touch the START pad. The display changes to defrost time count down. The oven will beep during the DEFROST cycle. At beep, open the door and turn food over, separate or rearrange the food. Remove any portions that have thawed. The oven will not STOP during the beep unless the door is opened.

**START** 5. Close the door and restart.

When the defrost time is over, you will hear four beeps and **END** will display.

**NOTE:** If you do not open the door, the display will resume the countdown.

## WEIGHT CONVERSION CHART

To enter food weight in AUTO DEFROST, you must specify pounds and tenths of a pound. If the weight on the food package is in fractions of a pound, you can use the following chart to convert the weight to decimals.

EQUIVALENT OUNCE WEIGHT	NUMBER AFTER DECIMAL
1.6	.10
3.2	.20
4.0	.25 One-Quarter Pound
4.8	.30
6.4	.40
8.0	.50 One- Half Pound
9.6	.60
11.2	.70
12.0	.75 Three-Quarters Pound
12.8	.80
14.4	.90
16.0	1.00 One Pound

## DEFROSTING TIPS

- **When using AUTO DEFROST**, the weight to be entered is the net weight in pounds and tenths of pounds (the weight of the food minus the container).
- **Use AUTO DEFROST** only for raw food. AUTO DEFROST gives best results when food to be thawed is a minimum of 0°F (taken directly from a **true** freezer). If food has been stored in a refrigerator-freezer that does not maintain a temperature of 5°F or below, always program a lower food weight (for a shorter defrosting time) to prevent cooking the food.
- **If the food is stored outside** the freezer for up to 20 minutes, enter a lower food weight.
- **The shape of the package** alters the defrosting time. Shallow rectangular packets defrost more quickly than a deep block.
- **Separate pieces** as they begin to defrost. Separated pieces defrost more easily.
- **You can use small pieces** of aluminum foil to shield foods like chicken wings, leg tips, and fish tails, but the foil must not touch the side of the oven. Foil causes arcing, which can damage the oven lining.
- **Shield areas of food** with small pieces of foil if they start to become warm.
- **For better results, a preset standing time** is included in the defrosting time.

# Operation

## AUTO DEFROST CHART

### Meat setting

FOOD	SETTING	AT BEEP	SPECIAL INSTRUCTIONS
<b>BEEF</b>			Meat of irregular shape and large, fatty cuts of meat should have the narrow or fatty areas shielded with foil at the beginning of a defrost sequence.
Ground Beef, Bulk	MEAT	Remove thawed portions with fork. Turn over. Return remainder to oven.	Do not defrost less than 1/4 lb. Freeze in doughnut shape.
Ground Beef, Patties	MEAT	Separate and rearrange.	Do not defrost less than two oz. patties. Depress center when freezing.
Round Steak	MEAT	Turn over. Cover warm areas with aluminum foil.	Place on a microwavable roasting rack.
Tenderloin Steak	MEAT	Turn over. Cover warm areas with aluminum foil.	Place on a microwavable roasting rack.
Stew Beef	MEAT	Remove thawed portions with fork. Separate remainder. Return remainder to oven.	Place in a microwavable baking dish.
Pot Roast, Chuck Roast	MEAT	Turn over. Cover warm areas with aluminum foil.	Place on a microwavable roasting rack.
Rib Roast	MEAT	Turn over. Cover warm areas with aluminum foil.	Place on a microwavable roasting rack.
Rolled Rump Roast	MEAT	Turn over. Cover warm areas with aluminum foil.	Place on a microwavable roasting rack.
<b>LAMB</b>			
Cubes for Stew	MEAT	Remove thawed portions with fork. Return remainder to oven.	Place in a microwavable baking dish.
Chops (1 inch thick)	MEAT	Separate and rearrange.	Place on a microwavable roasting rack.
<b>PORK</b>			
Chops (1/2 inch thick)	MEAT	Separate and rearrange.	Place on a microwavable roasting rack.
Hot Dogs	MEAT	Separate and rearrange.	Place on a microwavable roasting rack.
Spareribs Country-style Ribs	MEAT	Turn over. Cover warm areas with aluminum foil.	Place on a microwavable roasting rack.
Sausage, Links	MEAT	Separate and rearrange.	Place on a microwavable roasting rack.
Sausage, Bulk	MEAT	Remove thawed portions with fork. Turn over. Return remainder to oven.	Place in a microwavable baking dish.
Loin Roast, Boneless	MEAT	Turn over. Cover warm areas with aluminum foil.	Place on a microwavable roasting rack.

# Operation

## AUTO DEFROST CHART (CONTINUED)

### Poultry setting

FOOD	SETTING	AT BEEP	SPECIAL INSTRUCTIONS
<b>CHICKEN</b> Whole (up to 6 lbs)  Cut-up	POULTRY	Turn over (finish defrosting breast-side down). Cover warm areas with aluminum foil.  Separate pieces and rearrange.  Turn over. Cover warm areas with aluminum foil.	Place chicken breast-side up on a microwavable roast rack. Finish defrosting by immersing in cold water. Remove giblets when chicken is partially defrosted.  Place on a microwavable roasting rack.  Finish defrosting by immersing in cold water.
<b>CORNISH HENS</b> Whole	POULTRY	Turn over. Cover warm areas with aluminum foil.	Place on a microwavable roasting rack. Finish defrosting by immersing in cold water.
<b>TURKEY</b> Breast (under 6 lbs)	POULTRY	Turn over. Cover warm areas with aluminum foil.	Place on a microwavable roasting rack. Finish defrosting by immersing in cold water.

### Fish setting

FOOD	SETTING	AT BEEP	SPECIAL INSTRUCTIONS
<b>FISH</b> Fillets  Steaks  Whole	FISH  FISH  FISH	Turn over. Separate fillets when partially thawed if possible.  Separate and rearrange.  Turn over.	Place in a microwavable baking dish. Carefully separate fillets under cold water.  Place in a microwavable baking dish. Run cold water over to finish defrosting.  Place in a microwavable baking dish. Cover head and tail with foil; do not let foil touch sides of microwave. Finish defrosting by immersing in cold water.
<b>SHELLFISH</b> Crabmeat Lobster tails Shrimp Scallops	FISH FISH FISH FISH	Break apart. Turn over. Turn over and rearrange. Separate and rearrange. Separate and rearrange.	Place in a microwavable baking dish. Place in a microwavable baking dish. Place in a microwavable baking dish. Place in a microwavable baking dish.

**NOTE :** Food to be defrosted must be not more than 6.0 lbs(4.0 Kg).

# Operation

## TIME DEFROST

This feature allows you to choose the time you want to defrost.

Example: To defrost for 2 minutes.

TIME  
DEFROST

1. Touch **TIME DEFROST** pad.

2

0

0

2. Enter the defrosting time you want.

START

3. Touch **START** pad.  
(Defrost starts)  
When the defrost time is over, you will hear four beeps and **END** will display.

## TWO POSITION METAL RACK

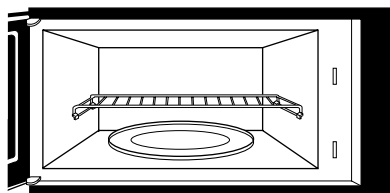
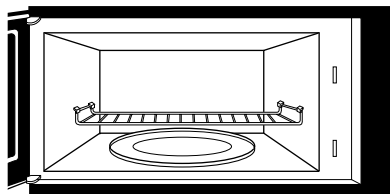
The two position Metal Rack gives you extra space when cooking in more than one container at the same time. The metal rack can be turned upside-down to help fit taller containers on the bottom of the oven.

 **CAUTION**

**Do not use oven rack while heating a single portion of food. Rack can cause an electrical arc and damage oven.**

### NOTE:

- **Rack must be on 4 supports when used.**
- Insert the rack securely into the four supports on the side walls of the oven.
- Turn the rack upside-down when using taller containers on the bottom of the oven.



# Cooking

## GETTING THE BEST COOKING RESULTS

To get the best results from your microwave oven, read and follow the guidelines below.

- **Storage Temperature:** Foods taken from the freezer or refrigerator take longer to cook than the same foods at room temperature. The time for recipes in this book is based on the normal storage temperature of the food.
- **Size:** Small pieces of food cook faster than large ones, pieces similar in size and shape cook more evenly. For even cooking, reduce the power when cooking large pieces of food.
- **Natural Moisture:** Very moist foods cook more evenly because microwave energy is attracted to water molecules.
- **Stir** foods such as casseroles and vegetables from the outside to the center to distribute the heat evenly and speed cooking. Constant stirring is not necessary.
- **Turn over** foods like pork chops, baking potatoes, roasts, or whole cauliflower halfway through the cooking time to expose all sides equally to microwave energy.
- **Place** delicate areas of foods, such as asparagus tips, toward the center of the dish.
- **Arrange** unevenly shaped foods, such as chicken pieces or salmon steaks, with the thicker, meatier parts toward the outside of the dish.
- **Shield**, with **Small** pieces of aluminum foil, parts of food that may cook quickly, such as wing tips and leg ends of poultry.
- **Let It Stand:** After you remove the food from the microwave, cover food with foil or casserole lid and let it stand to finish cooking in the center and avoid overcooking the outer edges. The length of standing time depends on the density and surface area of the food.
- **Wrapping in waxed paper or paper towel:** Sandwiches and many other foods containing prebaked bread should be wrapped prior to microwaving to prevent drying out.

## FISH & SHELLFISH

### Cooking Fish and Shellfish: General Directions

- Prepare the fish for cooking.
  - Completely defrost the fish or shellfish.
  - Arrange unevenly shaped pieces with thicker parts toward the outside of the dish. Arrange shellfish in a single layer for even cooking.
  - The type of cover you use depends on how you cook. Poached fish needs a microwavable lid or **vented** plastic wrap.
  - Baked fish, coated fish, or fish in sauce needs to be covered lightly with waxed paper to keep the coating crisp and sauce from getting watery.
- Always set the shortest cooking time. Fish is done when it turns opaque and the thickest part begins to flake. Shellfish is done when the shell turns from pink to red and the flesh is opaque and firm.
- The Fish and Shellfish Cooking Table below provides specific directions with Power Level and Cooking Time settings for most types of fish and shellfish.

**Fish And Shellfish Cooking Table**

FISH	POWER LEVEL	COOKING TIME	DIRECTIONS
Fish fillets	HI	3 1/2-4 1/2 minutes	Arrange fish in a single layer with thickest portion toward outside edge of 1 1/2 quart microwavable baking dish. Brush with melted butter and season, if desired. Cook covered with vented plastic wrap. Let stand covered 2 minutes. If you are cooking more than 1 lb. of fish, turn the fish halfway through cooking.
Fish steaks	HI	4 1/2-5 1/2 minutes	
Whole fish	7	4 1/2-6 minutes	
Scallops	HI	3 1/2-5 minutes	Arrange in a single layer. Prepare as directed above, except stir instead of turning the shellfish.
Shrimp, shelled	HI	3 1/2-5 minutes	

# Cooking

---

## APPETIZERS / SAUCES / SOUPS

### Cooking Appetizers: Tips and Techniques

#### Recommended

- Crisp crackers, such as melba toast, shredded wheat, and crisp rye crackers are best for microwave use. Wait until party time to add the spreads. Place a paper towel under the crackers while they cook in the microwave oven to absorb extra moisture.
- Arrange individual appetizers in a circle for even cooking.
- Stir dips to distribute heat and shorten cooking time.

### Cooking Sauces: Tips and Techniques

- Use a microwavable casserole or glass measuring cup that is at least 2 or 3 times the volume of the sauce.
- Sauces made with cornstarch thicken more rapidly than those made with flour.

### Cooking Soups: Tips and Techniques

- Cook soups in a microwavable dish which holds double the volume of the recipe ingredients to prevent boil-over, especially if you use cream or milk in the soup.
- Generally, cover microwaved soups with VENTED plastic wrap or a microwavable lid.
- Cover foods to retain moisture. Uncover foods to retain crispness.
- Avoid overcooking by using the minimum suggested time. Add more time, if necessary, only after checking the food.

### Not Recommended

- Appetizers with a crisp coating or puff pastry are best done in a conventional oven with dry heat.
- Breaded products can be warmed in the microwave oven but will not come out crisp.
- Cook sauces made with cornstarch or flour uncovered so you may stir them 2 or 3 times during cooking for a smooth consistency.
- To adapt a conventional sauce or gravy recipe, reduce the amount of liquid slightly.
- Stirring occasionally will help blend flavors, distribute heat evenly, and may even shorten the cooking time.
- When converting a conventional soup recipe to cook in the microwave, reduce the liquid, salt, and strong seasonings.

## MEAT

### Cooking Meat: General Directions

- Prepare the meat for cooking.
  - Defrost completely.
  - Trim off excess fat to avoid splattering.
  - Place the meat, fat side down, on a microwavable rack in a microwavable dish.
  - Use oven cooking bag for less tender cuts of meat.
  - Arrange the meat so that thicker portions are toward the outside of the dish.
  - Cover the meat with waxed paper to prevent splattering.
- Tend the meat as it cooks.
  - Drain juices as they accumulate to reduce splattering and keep from overcooking the bottom of the meat.
  - Shield thin or bony portions with strips of foil to prevent overcooking.

**NOTE:** Keep the foil **at least 1 inch** from the oven walls, and do not cover more than one-third of the meat with foil at any one time.

- Let the meat stand covered with foil 10-15 minutes after you remove it from the oven. The internal temperature of the meat may rise from 5-10°F during standing time.

The Meat Cooking Table on the next page provides detailed directions, Power Level, and Cooking Time settings for most cuts of meat.

# Cooking

**Meat Cooking Table**

MEAT	POWER LEVEL	COOKING TIME	DIRECTIONS
Beef Hamburgers, Fresh or defrosted (4 oz. each) 1 patty 2 patties 4 patties	HI	1-1½ minutes 1½-2 minutes 2½-3½ minutes	Form patties with depression in center of each. Place on microwavable roast rack. Brush with browning agent, if desired. Cover with waxed paper. Turn over halfway through cooking. Let stand covered 1 minute.
Sirloin tip roast (3-4 lbs.)	5	8-10 minutes per pound RARE(135°F) 11-13 minutes per pound MEDIUM(155°F)	Place roast fat side down on microwavable roast rack. Add desired seasonings and cover with waxed paper. Turn meat over halfway through cooking and shield if necessary. Remove roast from microwave oven when desired temperature is reached. Let stand covered with foil 15 minutes.(Temperature may rise about 10°F).
Lamb Lamb roast, rolled boneless (3-4 lbs.)	5	11-12 minutes per pound RARE(135°F) 12-13 minutes per pound MEDIUM(145°F) 13-14 minutes per pound WELL(155°F)	Place roast fat side down on microwavable roast rack. Brush lamb with marinade or desired seasonings such as rosemary, thyme or marjoram. Cover with waxed paper. Turn roast over after 15 minutes, and again after 30 minutes. Shield if necessary. Remove roast from microwave when desired temperature is reached. Let stand covered with foil 15 minutes (Temperature may rise about 10°F).
Pork Bacon slices 2 slices 4 slices 6 slices	HI	1½-2 minutes 2½-3 minutes 3½-4½ minutes	Place bacon slices on microwavable roast rack. Cover with paper towels. After cooking, let stand 1 minute.
Chops (5-7 oz. each) 2 chops  4 chops	3	18-20 minutes per pound 15-17 minutes per pound	Place chops in microwavable baking dish. Add desired seasonings and cover with vented plastic wrap. Cook until no longer pink or until internal temperature reaches 170°F. Turn chops over halfway through cooking. Let stand covered 5 minutes. (Temperature may rise about 10°F).
Loin Roast, rolled, boneless (3 ½- 4 ½ lbs.)	3	25-27 minutes per pound (165°F)	Place roast in cooking bag in microwavable dish. Add seasonings and browning agent if desired. Close bag loosely with microwavable closure or string. After cooking, let stand in bag 15 minutes. (Temperature may rise about 10°F.) Internal temperature of pork should reach 170°F before serving.
Sausage links, Fresh or Frozen, defrosted (1-2 oz. each) 2 links 4 links 6 links 10 links (8 oz. pkg.)	HI	45-60 seconds 1-1½ minutes 1½-2 minutes 1¾-2 minutes	Pierce links and place on microwavable roast rack. Cover with waxed paper or paper towel. Turn over halfway through cooking. After cooking, let stand covered 1 minute.



# Cooking

## POULTRY

### Cooking Poultry: General Directions

- Prepare the poultry for cooking.
  - Defrost completely.
  - Arrange poultry pieces with thicker pieces at the outside edge of the baking dish. When cooking legs, arrange them like the spokes of a wheel.
  - Cover the baking dish with waxed paper to reduce splattering.
  - Use a browning agent or cook with a sauce to give a browned appearance.
- Watch the poultry as it cooks.
  - Drain and discard juices as they accumulate.
  - Shield thin or bony pieces with small strips of aluminum foil to prevent overcooking. Keep foil **at least 1 inch** from the oven walls and other pieces of foil.
- Poultry is done when it is no longer pink and the juices run clear. When done, the temperature in the thigh meat should be 180-185°F.
- Let the poultry stand after cooking covered with foil for 10 minutes.

The Poultry Cooking Table below provides detailed directions, Power Level, and Cooking Time settings for most cuts and types of poultry.

**Poultry Cooking Table**

POULTRY	POWER LEVEL	COOKING TIME	DIRECTIONS
Chicken pieces (2 1/2-3 lbs).	HI	4 1/2-5 1/2 minutes per pound	Wash, shake the water off, and go on with cooking. Place pieces in a single layer in a microwavable baking dish with thicker pieces to the outside. Brush with butter or browning agent and seasonings if desired. Cover with waxed paper. Cook until no longer pink and juices run clear. Let stand covered 5 minutes.
Chicken whole (3-3 1/2 lbs)	HI	12-13 minutes per pound	Before cooking, wash and shake off water. Place breast side down on a microwavable roast rack. Brush with butter, or browning agent and seasoning if desired. Cover with waxed paper. Cook 1/3 of estimated time. Turn breast side up, brush with butter, or browning agent. Replace waxed paper. Cook 1/3 of estimated time again. Shield if necessary. Cook remaining 1/3 of estimated time or until no longer pink and juices run clear. Let stand covered with foil 10 minutes. (The temperature may rise about 10°F.) The temperature in the high should be 180°F-185°F when the poultry is done.
Cornish Hens Whole (1-1 1/2 lbs. each)	HI	6-7 minutes per pound	Wash, shake the water off, and go on with cooking. Tie wings to body of hen and the legs to tail. Place hens breast side down on microwavable rack. Cover with waxed paper. Turn breast side up halfway through cooking. Shield bone ends of drumsticks with foil. Remove and discard drippings. Brush with butter or browning agent and seasonings if desired. Cook until no longer pink and juices run clear. Remove hens from microwave when they reach desired temperature. Let stand covered with foil 5 minutes. (Temperature may rise about 10°F). Temperature in breast should be 170°F before serving.

# Cooking

## PASTA AND RICE

Microwave cooking and conventional cooking of pasta, rice, and cereal require about the same amount of time, but the microwave is a more convenient method because you can cook and serve in the same dish.

There is no stirring needed and leftover pasta tastes just like fresh cooked when reheated in the microwave oven.

### Cooking Pasta and Rice: Tips and Techniques

- If you are planning to use rice or pasta in a casserole, undercook it so it is still firm.
- Allow for standing time with rice, but not for pasta.
- The Pasta and Rice Cooking Tables below provide specific directions, with Power Level and cooking time settings for most common types of pasta and rice.

### Pasta Cooking Table

TYPE OF PASTA	POWER LEVEL	COOKING TIME	DIRECTIONS
Spaghetti 4 cups water Add 8 oz. spaghetti	HI 5	9 to 10 minutes 7 1/2 to 8 1/2 minutes	Combine hot tap water and salt, if desired. Use a 2-quart microwavable baking dish and cover with vented plastic wrap for spaghetti and lasagna noodles. Use microwavable lid or vented plastic wrap for macaroni and egg noodles. Cook at Power Level HI as directed in chart or until water boils. Stir in pasta; cook covered at Power Level 5 as directed in chart or until tender. Drain in a colander.
Macaroni 3 cups water Add 2 cups macaroni	HI 5	6 to 7 minutes 5 1/2 to 6 1/2 minutes	
Lasagna noodles 4 cups water Add 8 oz. lasagna noodles	Hi 5	7 to 8 minutes 11 to 12 1/2 minutes	
Egg noodles 6 cups water Add 4 cups noodles	HI 5	8 to 10 minutes 5 1/2 to 6 1/2 minutes	

### Rice Cooking Table

TYPE OF RICE	POWER LEVEL	COOKING TIME	DIRECTIONS
Long grain 2 1/4 cups water Add 1 cup rice	HI 5	4 1/2 to 5 1/2 minutes 14 minutes	Combine hot tap water and salt, if desired, in 2 quart microwavable casserole. Cover with microwavable lid or vented plastic wrap. Cook as directed in chart at Power Level HI or until water boils. Stir in rice and any seasonings. Cook covered as directed in chart at Power Level 5 or until water is absorbed and rice is tender. Let stand covered 5 to 10 minutes. Fluff with fork.
Brown 2 1/2 cups water Add 1 cup rice	HI 5	4 1/2 to 5 1/2 minutes 28 minutes	
Long grain and wild rice mix 2 1/3 cups water Add 6 oz. pkg.	Hi 5	4 to 5 minutes 24 minutes	
Quick cooking 1 cup water Add 1 cup rice	HI	2 to 3 minutes	Cook water until it boils. Stir rice into boiling water and let stand, covered 5 to 10 minutes or until water is absorbed and rice is tender. Fluff with fork.

# Maintenance

## CARE AND CLEANING

For best performance and safety, keep the oven clean inside and outside. Take special care to keep the inner door panel and the oven front frame free of food or grease build-up.

**Never use abrasive cleaners or pads.** Wipe the microwave oven inside and out, including the hood bottom cover, with a soft cloth and a warm (not hot) mild detergent solution. Then rinse and wipe dry. Use a chrome cleaner and polish on chrome, metal, and aluminum surfaces. Wipe spatters immediately with a wet paper towel, especially after cooking chicken or bacon. Clean your oven weekly or more often, if needed.

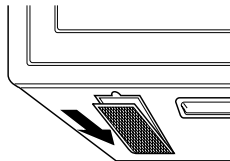
## METAL RACK

Wash the metal rack with a mild soap and a soft or nylon scrub brush. Dry completely. Do not use abrasive scrubbers or cleaners to clean rack.

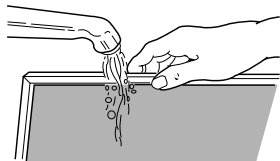
## CLEANING THE GREASE FILTERS

The grease filters should be removed and cleaned often, at least once a month.

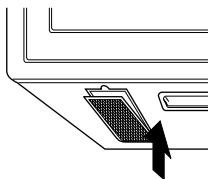
1. To remove grease filters, slide each filter back. Pull filters downward and push to the other side. The filter will drop out.



2. Wash in dishwasher or soak grease filters in hot water and a mild detergent. Rinse well and shake to dry. **Do not use ammonia. The aluminum will darken filter.**



3. To reinstall the filters, slide it into the side slot, then push up and toward front to lock.



## CAUTION

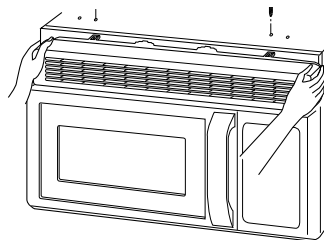
**Do not operate the hood without the filters in place.**

## CHARCOAL FILTER REPLACEMENT

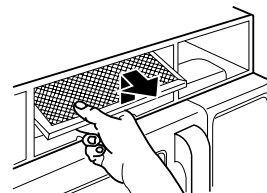
If your oven is vented inside, the charcoal filter should be replaced every 6 to 12 months, and more often if necessary. The charcoal filter cannot be cleaned. To order a new charcoal filter, contact the Parts Department at your nearest Authorized Service Center or call Amana at 1-800-843-0304 (inside U.S.A) 1-319-622-5511 (outside U.S.A).

Order Charcoal Filter kit #: MVHRK2.

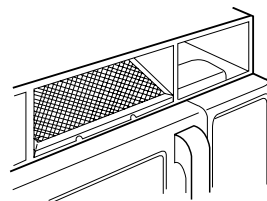
1. Disconnect Power to oven.
2. Remove the two vent grille mounting screws. (2 middle screws)



3. Tip the grille forward, then lift it out.
4. Remove old filter.



5. Slide a new charcoal filter into place. The filter should rest at the angle shown.



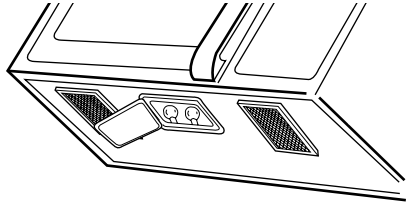
6. Slide the bottom of the grille into place. Push the top until it snaps into place. Replace the mounting screws. Turn the power back on at the main power supply and set the clock.

# Maintenance

---

## COOKTOP/NIGHT LIGHT REPLACEMENT

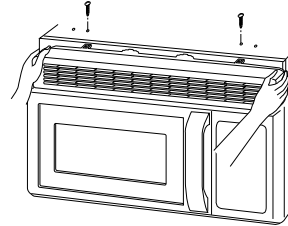
1. Unplug the oven or turn off power at the main power supply.



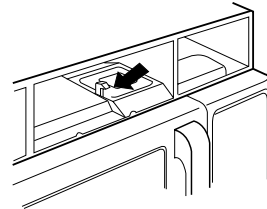
2. Remove the bulb cover mounting screw.
3. Replace bulb(s) with 30 watt appliance bulb(s).
4. Replace bulb cover.
5. Turn the power back on at the main power supply.

## OVEN LIGHT REPLACEMENT

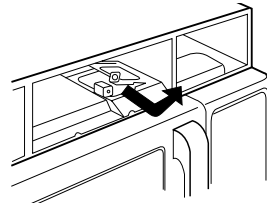
1. Unplug oven or turn off power at the main power supply.
2. Remove the vent cover mounting screws.(2 middle screws)
3. Tip the cover forward, then lift out to remove.



4. Remove bulb holder.



5. Lift up the bulb holder.



6. Replace bulb with a 30 or 40 watt appliance bulb.
7. Replace the bulb holder and mounting screw.
8. Slide the bottom of the vent cover into place. Push the top until it snaps into place. Replace the mounting screws. Turn the power back on at the main power supply.

# Maintenance

## MICROWAVE UTENSIL GUIDE

USE	DO NOT USE
<p><b>OVENPROOF GLASS</b> (treated for high intensity heat): utility dishes, loaf dishes, pie plates, cake plates, liquid measuring cups, casseroles and bowls without metallic trim.</p> <p><b>CHINA:</b> bowls, cups, serving plates and platters without metallic trim.</p> <p><b>PLASTIC:</b> Plastic wrap (as a cover)-- lay the plastic wrap loosely over the dish and press it to the sides. Vent plastic wrap by turning back one edge slightly to allow excess steam to escape. The dish should be deep enough so that the plastic wrap will not touch the food. As the food heats it may melt the plastic wrap wherever the wrap touches the food. Use plastic dishes, cups, semirigid freezer containers and plastic bags <b>only for short cooking time. Use these with care because the plastic may soften from the heat of the food.</b></p> <p><b>PAPER:</b> Paper towels, waxed paper, paper napkins, and paper plates with no metallic trim or design. Look for the manufacturer's label for use in the microwave oven.</p>	<p><b>METAL UTENSILS:</b> Metal shields the food from microwave energy and produces uneven cooking. Also avoid metal skewers, thermometers or foil trays. Metal utensils can cause arcing, which can damage your microwave oven.</p> <p><b>METAL DECORATION:</b> Metal-trimmed or metal-banded dinnerware, casserole dishes, etc. The metal trim interferes with normal cooking and may damage the oven.</p> <p><b>ALUMINUM FOIL:</b> Avoid large sheets of aluminum foil because they hinder cooking and may cause harmful arcing. Use small pieces of foil to shield poultry legs and wings. Keep ALL aluminum foil at least 1 inch from the side walls and door of the oven.</p> <p><b>WOOD:</b> Wooden bowls and boards will dry out and may split or crack when you use them in the microwave oven. Baskets react in the same way.</p> <p><b>TIGHTLY COVERED UTENSILS:</b> Be sure to leave openings for steam to escape from covered utensils. Pierce plastic pouches of vegetables or other food items before cooking. Tightly closed pouches could explode.</p> <p><b>BROWN PAPER:</b> Avoid using brown paper bags. They absorb too much heat and could burn.</p> <p><b>FLAWED OR CHIPPED UTENSILS:</b> Any utensil that is cracked, flawed, or chipped may break in the oven.</p> <p><b>METAL TWIST TIES:</b> Remove metal twist ties from plastic or paper bags. They become hot and could cause a fire.</p>

# Trouble shooting

---

## BEFORE CALLING FOR SERVICE

Check the following list to be sure a service call is really necessary. A quick reference of this manual as well as reviewing additional information on items to check may prevent an unneeded service call.

### If nothing on the oven operates:

- check for a blown circuit fuse or a tripped main circuit breaker.
- check if oven is properly connected to electric circuit in house.
- check that controls are set properly.

### If the oven interior light does not work:

- the light bulb is loose or defective.

### If oven will not cook:

- check that control panel was programmed correctly.
- check that door is firmly closed.
- check that Start Pad was touched.
- check that timer wasn't started instead of a cook function.

### If oven takes longer than normal to cook or cooks too rapidly:

- be sure the Power Level is programmed properly.

### If the time of day clock does not always keep correct time:

- check that the power cord is fully inserted into the outlet receptacle.
- be sure the oven is the only appliance on the electrical circuit.

### If food cooks unevenly:

- be sure food is evenly shaped.
- be sure food is completely defrosted before cooking.
- check placement of aluminum foil strips used to prevent overcooking.

### If food is undercooked:

- check recipe to be sure all directions (amount, time, & power levels) were correctly followed.
- be sure microwave oven is on a separate circuit.
- be sure food is completely defrosted before cooking.

### If food is overcooked:

- check recipe to be sure all directions (amount, power level, time, size of dish) were followed.

### If arcing (sparks) occur:

- be sure microwavable dishes were used.
- be sure wire twist ties weren't used.
- be sure oven wasn't operated when empty.
- make sure metal rack (if used) is properly installed on 4 supports.

### If the Display shows a time counting down but the oven is not cooking:

- check that door is firmly closed.
- check that timer wasn't started instead of a cooking function.

**Vent fan starts automatically.** If the temperature gets too hot around the microwave oven, the fan in the vent hood will automatically turn on at the LOW setting to cool the oven. It may stay on up to an hour to cool the oven.

## QUESTIONS AND ANSWERS

### Q. Can I use a rack in my microwave oven so that I may reheat or cook in two levels at a time?

- A. Only use the rack that is supplied with your microwave oven. Use of any other rack can result in poor cooking performance and/or arcing and may damage your oven.

### Q. Can I use either metal or aluminum pans in my microwave oven?

- A. Usable metal includes aluminum foil for shielding (use small, flat pieces). Never allow metal to touch walls or door.

### Q. Sometimes the door of my microwave oven appears wavy. Is this normal?

- A. This appearance is normal and does not affect the operation of your oven.

### Q. What are the humming noises that I hear when my microwave oven is operating?

- A. You hear the sound of the transformer when the magnetron tube cycles on and off.

### Q. Why does the dish become hot when I microwave food in it? I thought that this should not happen.

- A. As the food becomes hot it will conduct the heat to the dish. Use hot pads to remove food after cooking. Dish may not be microwave safe.

### Q. What does standing time mean?

- A. Standing time means that food should be taken out of the oven and covered for additional time after cooking. This process allows the cooking to finish, saves energy, and frees the oven for other purpose.

### Q. Can I pop popcorn in my microwave oven? How do I get the best results?

- A. Yes. Pop packaged microwave popcorn following manufacturer's guidelines or use the preprogrammed Popcorn pad. Do not use regular paper bags. Use the listening test by stopping the oven as soon as the popping slows to a pop every one or two seconds. Do not try to repop unpopped kernels. You can also use special microwave poppers. When using a popper, be sure to follow manufacturer's directions. Do not pop popcorn in glass utensils.

### Q. Why does steam come out of the air exhaust vent?

- A. Steam is normally produced during cooking. The microwave oven has been designed to vent this steam out the top vent.

# Installation

---

## YOUR SAFETY FIRST

Read this entire manual before you begin.

### BEFORE YOU START

- **Proper installation is the installer's responsibility!**

- Write the model & serial numbers on the owner's manual. The model number label is located on the oven front. The mounting plate is located on the back side of the microwave oven. See Figure 1.

### BE SURE TO READ THE FOLLOWING SAFETY INSTRUCTIONS:

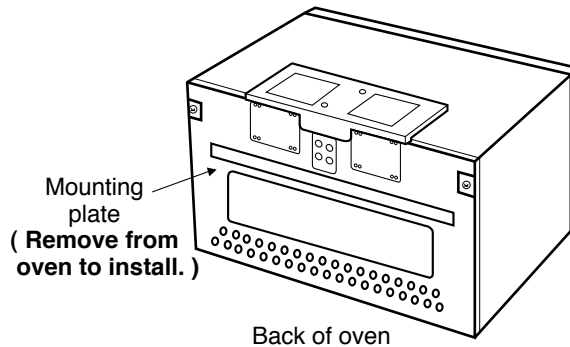


Figure 1

## WARNING

### FOR YOUR SAFETY:

- You will need TWO people to install this oven. It is heavy and could cause personal injury if not handled properly.
- **Avoid Electrical Shock!**
  - Before you drill into the wall, note where electrical outlets are and where electrical wires might be concealed behind the wall. **YOU COULD GET AN ELECTRIC SHOCK** if you contact electrical wires with your drill bit.
  - Locate and disconnect the power to any electrical circuits that could be affected by installing this oven. **IF YOU DO NOT DISCONNECT THE POWER, YOU COULD GET AN ELECTRIC SHOCK.**
  - You need a DEDICATED 120V, 60Hz, AC only, 15 or 20A, fused electrical supply (located in the cabinet above the microwave as close as possible to the microwave) serving only the microwave.

# Installation

## YOUR SAFETY FIRST

### **WARNING**

**If you use the grounding plug improperly, you risk electric shock!**

- Check with a qualified electrician if you are not sure whether the oven is properly grounded or if you do not completely understand the grounding instructions.
- DO NOT USE A FUSE IN THE NEUTRAL OR GROUNDING CIRCUIT.**

### **WARNING**

**Improper grounding could result in electric shock or other personal injury.**

SAVE THESE INSTRUCTIONS FOR THE LOCAL ELECTRICAL INSPECTOR'S USE.

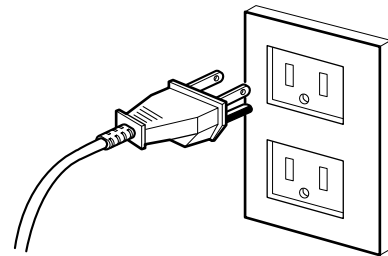
• **THIS APPLIANCE MUST BE GROUNDED!**

- If there is an electrical short circuit, grounding reduces the risk of electrical shock by providing an escape wire for the electric current. This appliance is equipped with a cord having a grounding wire with a grounding plug.
  - Place the plug into a properly installed and grounded outlet. See Figure 2.
  - Do not use an extension cord.
  - Keep the power cord dry and do not pinch or crush it.

• **DO NOT, UNDER ANY CIRCUMSTANCES, REMOVE THE POWER SUPPLY CORD GROUNDING PRONG!**

This appliance **MUST** be grounded!

PROPERLY POLARIZED AND  
GROUNDED OUTLET



Three-Pronged (Grounding) Plug

**Figure 2**

### **WARNING**

**If you do not use the microwave oven as instructed,  
you could be exposed to excessive microwave energy.**

• **DO NOT EXPOSE YOURSELF TO EXCESSIVE MICROWAVE ENERGY!**

- DO NOT try to operate the microwave oven with the door open.
- DO NOT tamper with or defeat the safety interlocks.
- DO NOT place objects between the microwave oven front face and the door.
- DO NOT allow soil or cleaner residue to build up on the flat surfaces around the microwave oven door.
- DO NOT operate the microwave oven if it is damaged.
- The microwave oven door must close properly to operate safely.
- DO NOT USE THE MICROWAVE OVEN:
  - If the door is bent.
  - If the hinges or latches are broken or loose.
  - If the door seals, sealing surfaces or glass is broken.
- DO NOT ATTEMPT TO ADJUST OR REPAIR THE OVEN YOURSELF!  
It should be adjusted and repaired by a qualified technician who can check for microwave leakage after repairing the oven.



# Installation

## YOUR SAFETY FIRST

### WARNING

If you do not mount the oven as instructed, you risk personal injury and/or property damage.

### CAUTION

Before you begin installing the oven, PLACE A PIECE OF THE CARTON OR OTHER HEAVY MATERIAL (a blanket) over the countertop or cooktop to protect it. **Do not use a plastic cover.** Failure to protect these surfaces could result in property damage.

#### • MAKE SURE YOU HAVE ENOUGH SPACE AND SUPPORT.

- Mount the oven against a flat, vertical wall, so it is supported by the wall. The wall should be constructed of minimum 2" x 4" wood studing and 3/8" thick drywall or plaster/lath.
- ATTACH AT LEAST ONE of the two lag screws supporting the oven to a vertical, 2" x 4" wall stud.
- DO NOT mount the microwave oven to an island or peninsula cabinet.
- BE SURE the upper cabinet and rear wall structures are able to support 150 lbs., plus the weight of any items you place inside the oven or upper cabinet.
- Locate the oven away from strong draft areas, such as windows, doors, and strong heating vents.
- BE SURE you have enough space. See Figure 3 below for minimum vertical and horizontal clearance.
- This microwave oven can be installed over gas or electric cooking products no more than 36 inches wide.

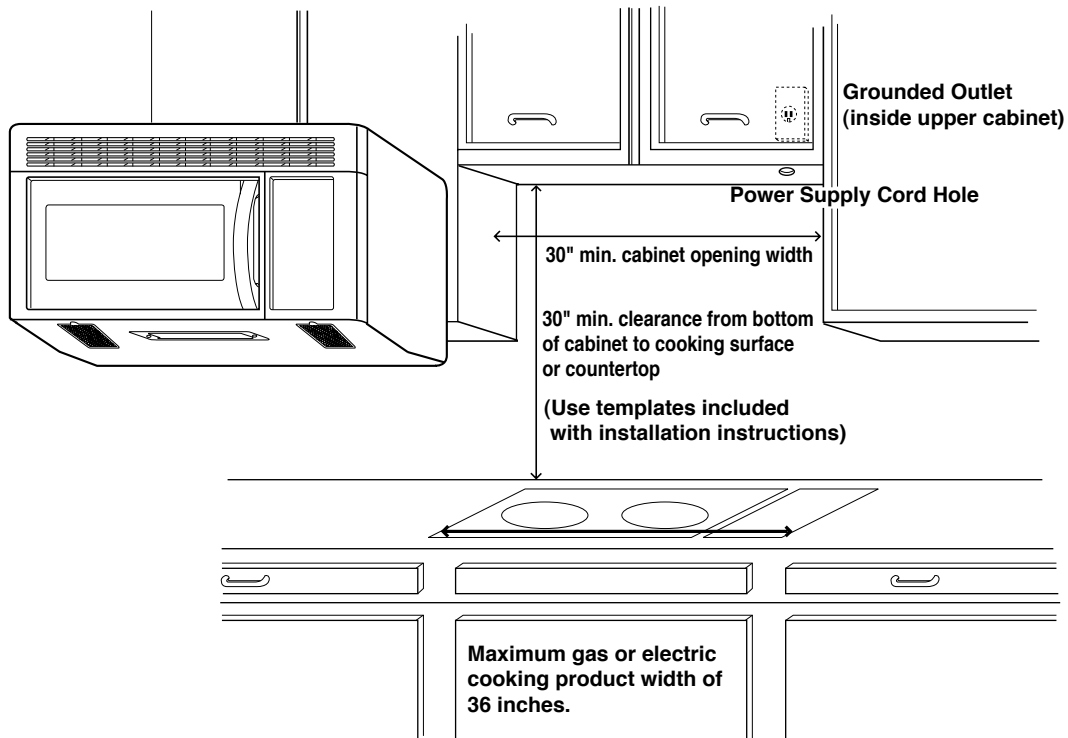


Figure 3

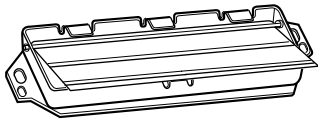
# Installation

## PARTS, TOOLS, MATERIALS

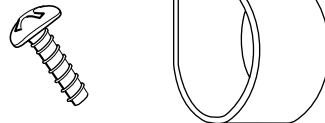
### THE FOLLOWING PARTS ARE SUPPLIED WITH THE OVEN:

**NOTE:** Depending on your ventilation requirements, you may not use all of these parts.

**Backdraft damper / duct connector**  
(for roof-venting or wall-venting installation) □  
Not Actual Size ( 2 pieces must be □  
assembled as shown )



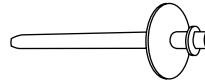
**One power cord clamp and**  
**One dark-colored mounting screw**  
(to hold the power cord) □  
Actual Size



**Two self - tapping screws** - Actual Size  
(for attaching the damper duct connector) □



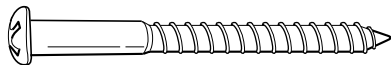
**One lock pin and one washer**-Not Actual size



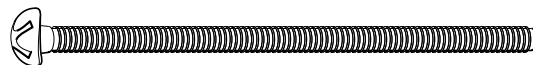
**One power cord clamp bushing** - Actual Size □  
(for the cord hole in a metal upper cabinet)



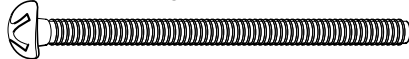
**Four 1/4" x 2" lag screws** - Actual Size □  
(for wall stud holes)



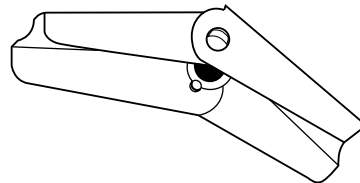
**Four 1/4" x 3" toggle bolts** - Actual Size □  
(for drywall holes)



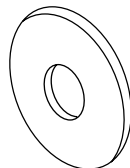
**Two 1/4" x 2" or 3" bolts** - Actual Size □  
(for securing to the upper cabinet)



**Four spring toggle heads** - Actual Size □  
(for the toggle bolts)



**Two washers** - Actual Size □  
(for the two upper cabinet bolts)



**NOTE:** You need to install at least 2 lag screws into one 2" x 4" stud and four anchor bolts into the wall. The mounting area must meet the 150 lbs. weight requirement.

# Installation

## PARTS, TOOLS, MATERIALS

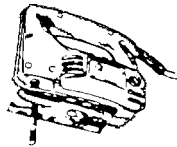
### YOU WILL NEED THE FOLLOWING TOOLS AND MATERIALS FOR THE INSTALLATION:

Carton or other heavy material for covering the counter top.

Clear tape  
(for taping the templates to the wall)

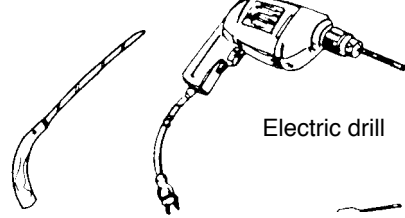


Stud finder or thin nail.



Saber saw (for cutting vent holes for roof or wall venting)

Keyhole saw (for the power cord hole)



Electric drill

Phillips screwdriver (for the screws)



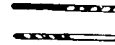
3/8" and 3/4" wood drill bits



Pencil



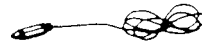
1/2" and 3/16"  
drill bits



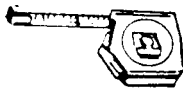
Flat blade screwdriver (for the toggle bolts)



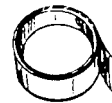
Plumb line



Measuring tape (metal preferred)



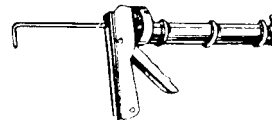
Duct Tape



Small side cutters or tin snips



Caulking gun



- If you have brick or masonry walls, you will need special hardware and tools.
- The ductwork you need for the installation is not included. All wall and roof caps must have a back-draft damper.

# Installation

---

## STEP 1: PREPARE THE ELECTRICAL CONNECTIONS

### **WARNING - FIRE HAZARD**

**AVOID ELECTRICAL SHOCK! THIS APPLIANCE MUST BE GROUNDED!**

**Improper grounding could result in electric shock or other personal injury.**

- **DO NOT, UNDER ANY CIRCUMSTANCES, REMOVE THE POWER SUPPLY CORD GROUNDING PRONG!**  
This appliance **MUST** be grounded!

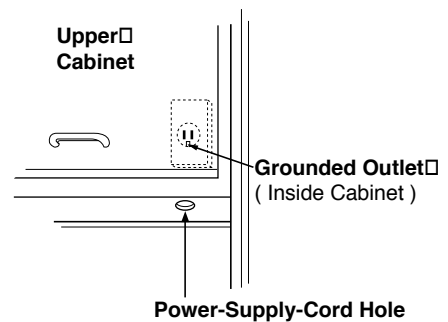
1. Locate the grounded electric outlet for this oven in the cabinet above the oven, as shown in Figure 4.

**NOTE:** The outlet should be on a circuit dedicated to the microwave oven (120V, 60Hz., AC only) with a 15 or 20A fused electrical supply.

**IMPORTANT:** If you do not have the proper wall outlet, you **MUST** have one installed by a qualified electrician.

2. You will cut the power-supply-cord hole (shown in Figure 4) later when you prepare the wall and upper cabinet in Step 4.

**NOTE:** Do not use an extension cord.  
Keep the power cord dry and do not pinch or crush it.



**Figure 4**

# Installation

## STEP 2: PREPARE THE VENTING SYSTEM

### **⚠ WARNING - FIRE HAZARD**

**THIS OVEN MUST BE PROPERLY VENTED!**

**NOTE:** The ductwork you need for outside ventilation is not included with your oven. The standard ductwork fittings and length are shown in Figure 9.

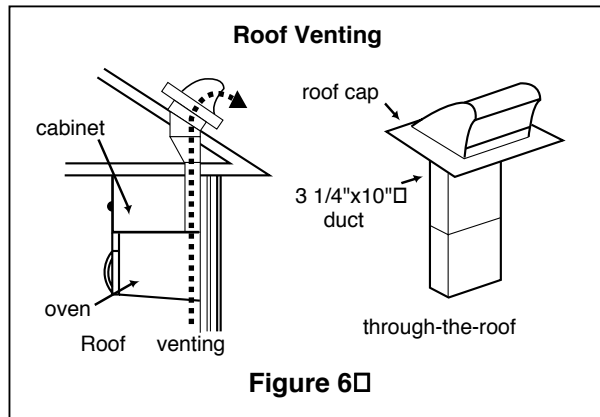
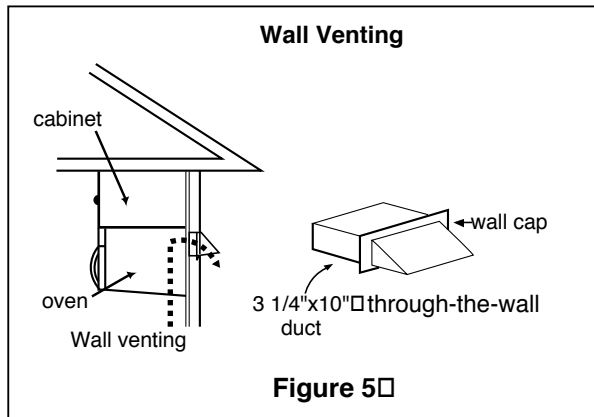
You may vent your oven in one of three ways. However, do NOT vent into a wall cavity, an attic, or an unused area.

**Roof-venting** If your oven is located on an outside wall near the roof, as in Figures 6 (3 1/4" x 10" duct) and Figure 8 (6" round duct.)

**Wall-venting** If your oven is located on an outside wall of your house, as in Figure 5 (3 1/4" x 10" duct) and Figure 8 (6" round duct.)

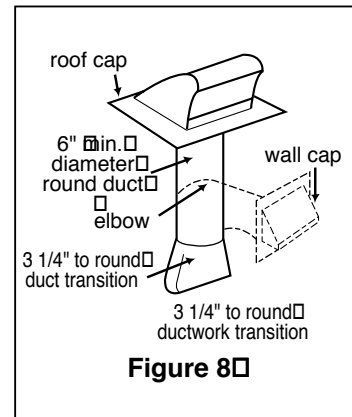
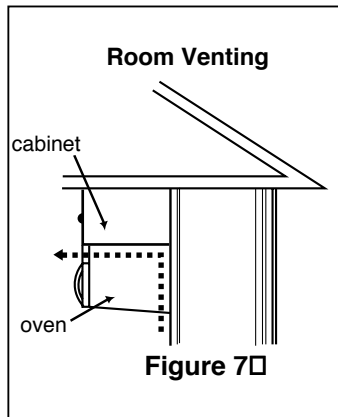
**Room-venting** If your oven is located on an inside wall of your house, as in Figure 7.

**NOTE:** If you choose the rear exhaust method (roof-or wall-venting), be sure there is enough clearance within the wall for the exhaust duct.



### REMEMBER AS YOU INSTALL THE VENTING:

- Keep the length of the ductwork and the number of elbows to a minimum to ventilate your oven efficiently. See examples on next page.
- Keep the size of the ductwork the same.
- Do not install two elbows together.
- Use duct tape to seal all joints in the duct system.
- Use caulking gun to seal the exterior wall or roof opening around the cap.



# Installation

## STEP 2: PREPARE THE VENTING SYSTEM

### STANDARD FITTINGS

**NOTE:** If the existing duct is round, you must use a rectangular-to-round adapter, with a rectangular 3" extension duct installed between the damper assembly and the adapter to prevent the exhaust damper's sticking.

### DUCT LENGTH

The total length of the duct system, including straight duct, elbows, transitions, and wall or roof caps **must not exceed the equivalent of 140 feet.**

For best performance, do not use more than three 90 degree elbows, and keep length as short as possible.

Below are the standard fittings and their equivalent length in feet.





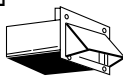

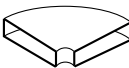
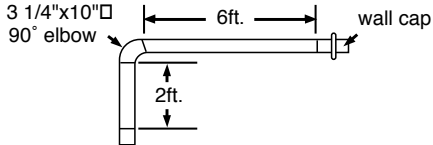
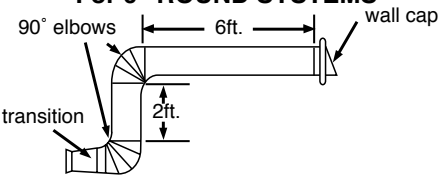
1 □  3 1/4"x10" □ to 6"=5ft.	2 □  3 1/4"x10" roof □ cap=24ft.	3 □  3 1/4"x10" 90° □ elbow=25ft.	
4 □  90° elbow □ =10ft.	5 □  3 1/4"x10" □ wall cap □ =40ft.	6 □  45° elbow □ =5ft.	7 □  3 1/4"x10" □ flat elbow □ =10ft.

Figure 9

To calculate the equivalent length of each ductpiece used, see the examples below.

Examples	
<p><b>For 3 1/4"x10" SYSTEMS</b></p> 	<p><b>For 6" ROUND SYSTEMS</b></p> 
<p>1-3 1/4" x 10" 90° elbow □ = 25 ft. □</p> <p>1-Wall Cap □ = 40 ft. □</p> <p>8 feet straight duct □ = 8 ft. □</p> <p><b>TOTAL LENGTH</b> = 73 ft. □</p>	<p>1-transition □ = 5 ft. □</p> <p>2-90° elbows □ = 20 ft. □</p> <p>1-Wall Cap □ = 40 ft. □</p> <p>8 feet straight □ = 8 ft. □</p> <p><b>TOTAL LENGTH</b> = 73 ft. □</p>

# Installation

## STEP 3: PREPARE THE VENTING BLOWER

### **WARNING**

**ELECTRICAL SHOCK HAZARD!**  
**UNPLUG UNIT BEFORE WORKING ON IT.**

- DO NOT PULL OR STRETCH THE BLOWER WIRING!  
Pulling and stretching the blower wiring could result in electrical shock.

Your microwave oven is shipped with the blower assembled for roof venting. If you want wall-venting or room-vented (recirculating) installation, you must change the fan, as detailed below.

Remove two screws that attach mounting plate to microwave oven cabinet. See Figure 10.

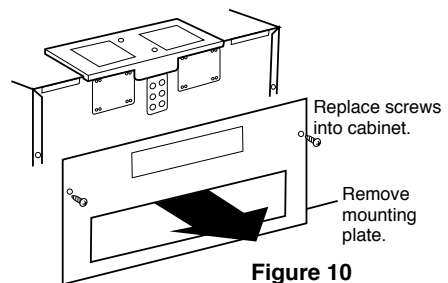
Remove mounting plate and set aside. Discard the screws.

### **ROOF-VENTED INSTALLATION:**

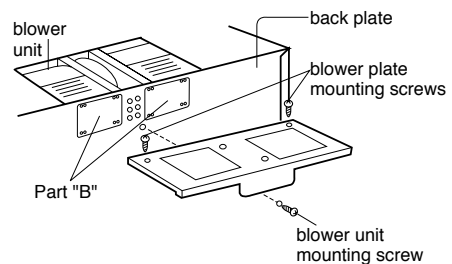
Go to STEP 4.

### **WALL-VENTED INSTALLATION:**

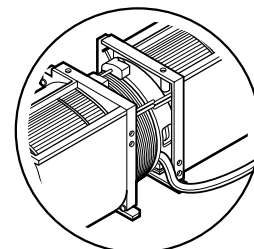
1. Remove one blower unit mounting screw and two blower plate screws. Remove the blower plate from cabinet. See Figure 11.
2. Carefully lift the blower unit out of the microwave oven.
3. Use side cutters or tin snips to cut and remove knockouts part "B" from Back plate. Discard knockouts. Be careful not to distort the plate. See Figure 12.
4. Pull out the blower wire from wire clip, and put blower wire in another clip. See figure 13.
5. Rotate the unit so that the exhaust ports face the rear of the cabinet. See Figure 14. When you insert blower unit, blower wire must be like figure 14.
6. Place blower unit back into cabinet. Check that the exhaust ports face towards the rear of the cabinet. See Figure 15.
7. Reattach the blower plate to cabinet so the exhaust ports and blower plate opening are aligned. Attach with one blower unit mounting screw and then two blower plate mounting screws. See Figure 16.



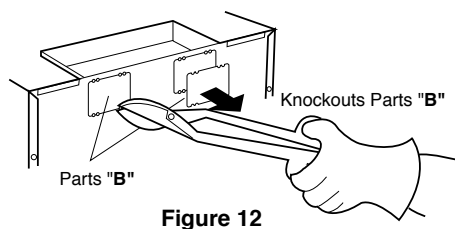
**Figure 10**



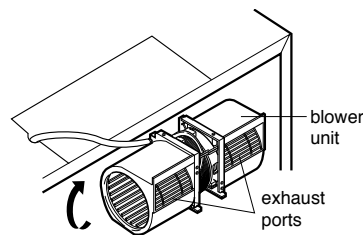
**Figure 11**



**Figure 13**



**Figure 12**



**Figure 14**

# Installation

## STEP 3: PREPARE THE VENTING BLOWER

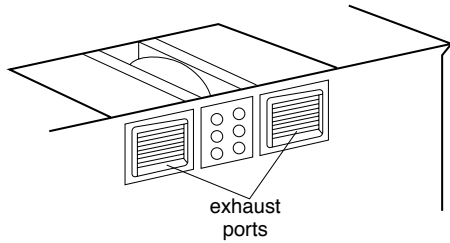


Figure 15

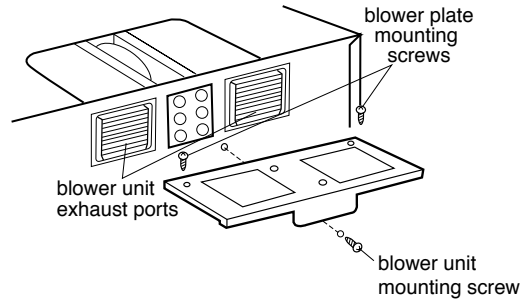


Figure 16

### ROOM-VENTED (Recirculating) INSTALLATION:

1. Remove one blower unit mounting screw and two blower plate screws. Remove the blower plate from cabinet. See Figure 17.
2. Carefully lift the blower unit out of the microwave oven.
3. Rotate blower unit 90° so the exhaust ports face the front of the cabinet. See Figure 18.
4. Place the blower unit back into the microwave oven.
5. Reattach blower plate to microwave oven. Attach with one blower unit mounting screw and then two blower plate mounting screws. See Figure 19.

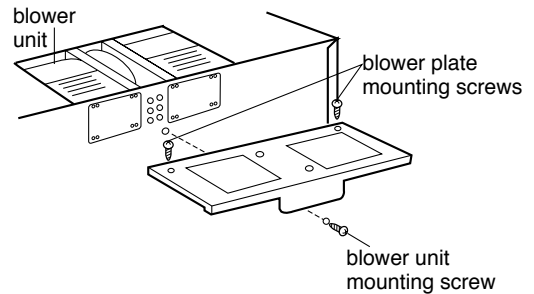


Figure 17

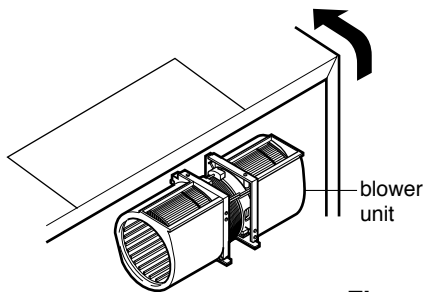


Figure 18

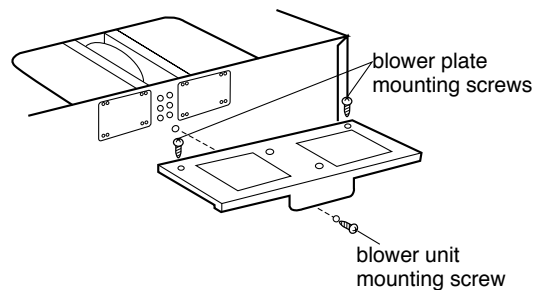


Figure 19



# Installation

## STEP 4: PREPARE THE WALL AND UPPER CABINET FOR INSTALLATION

### CAUTION

Before you begin installing the oven, PLACE A PIECE OF THE CARTON OR OTHER HEAVY MATERIAL (a blanket) over the countertop or cooktop to protect it. **Do not use a plastic cover.** Failure to protect these surfaces could result in property damage.

### BEFORE YOU START

1. Remove any shipping materials and parts from inside the microwave oven.
2. Cover the counter top or cooktop with a thick, protective covering to protect it from damage and dirt. See Figure 20.

**NOTE:** If you have a free-standing range, disconnect it, move it onto a piece of cardboard or hardboard and pull it away from the wall, so that you can get closer to the upper cabinet and back wall for easier measuring and drilling. Be careful not to pinch or damage the cord when you push the range back.

### MEASURE AND TACK / TAPE UP THE TEMPLATES

1. Using a plumb line and (metal) measuring tape, find and mark the vertical center line on the back wall, as in Figure 21.
2. Find and mark one or two points where the studs are on the wall. (Studs are normally 16 inches apart)  
Then measure and mark the stud locations within the area marked **H** on the wall template.  
If you cannot find any wall stud, consult a local building contractor.

### CAUTION

DO NOT ATTEMPT TO INSTALL THE MICROWAVE OVEN IF YOU CANNOT FIND A WALL STUD.

3. Line up the plumb line on the wall with the center line on the wall template.  
**NOTE:** Be sure the minimum width is 30 inches and the distance from the top of the wall template to the range or counter top is at least 30 inches.  
See Figure 21.

4. Securely tape or tack the wall template to the wall.  
See Figure 22.

**NOTE:** If the cabinets are not plumb, adjust the wall template to the cabinets.  
Remember, the oven must hang level.  
If the front edge of the cabinet is lower than the back edge, adjust the wall template to be level with the cabinet front.

5. Measure the bottom of the upper cabinet frame. Trim the edges **A**, **B** and **C** on the upper cabinet template so that the template will fit on the bottom of the upper cabinet. If upper cabinet has a recessed frame, trim the template so it fits inside the recessed area. Align the centerline of the upper cabinet template with the centerline of the wall template, then securely tape or tack the upper cabinet template in place.  
See Figure 22.

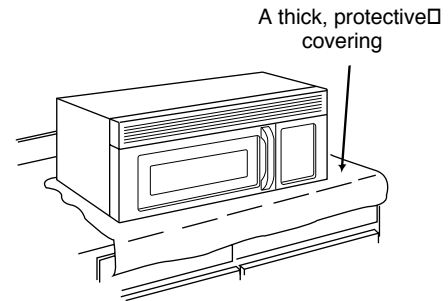


Figure 20

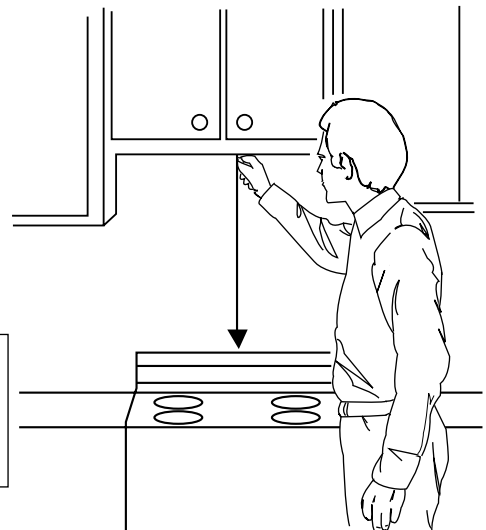


Figure 21

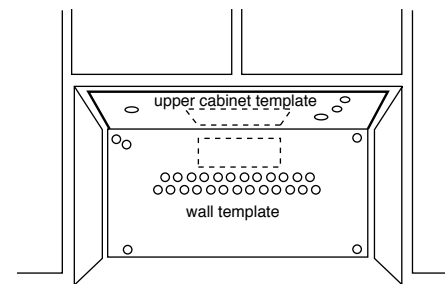


Figure 22

# Installation

## STEP 4: PREPARE THE WALL AND UPPER CABINET FOR INSTALLATION

### WARNING

**BE VERY CAREFUL WHEN DRILLING HOLES INTO THE WALL.**  
Electrical wires could be concealed behind the wall covering  
and if the drill hits them you could get an electric shock.

### DRILL THE HOLES IN THE WALL AND UPPER CABINET.

1. Find the points on the wall template labeled **D, E, F,** and **G.** Drill a 3/16" diameter hole at any points that are over a wall stud. Drill a 3/4" diameter hole at any points over drywall.
2. Locate the wall stud closest to the center of the areas marked **H** and **I** on the wall template. Drill 3/16" holes into the wall stud in each of the areas. If a wall stud is not located within these areas, drill 3/4" diameter holes nearest to the center of the areas as possible.  
**If there is not a wall stud within the areas marked H and I, or behind points marked D, E, F, and G, DO NOT install microwave oven. (Consult building inspector.) There must be at least one stud in those areas.**
3. Drill a 3/8" hole at points **J, K,** and **N** on the upper cabinet template.  
**NOTE:** If the bottom of the upper cabinet is recessed 3/4" or more, you will need 2"x2" filler blocks (not included) to provide additional support for the bolts. See Figure 23.
  - Mark the center of each filler block and drill a 3/8" diameter hole at the marks.
  - Align filler blocks over the two openings in the top of the microwave oven cabinet and attach to cabinet with masking tape. See Figure 24.
4. Cut or drill a 2" diameter hole at the area marked **M.**  
Power supply cord hole on the upper cabinet template. If the upper cabinet is metal, you will need to cover the edge of the hole with the power supply cord bushing (supplied) to prevent damage to the cord from the rough metal edge.

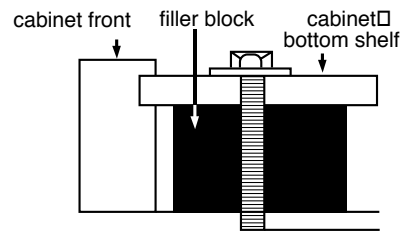



Figure 23

 **WARNING**  
**YOU MUST COVER THE EDGE OF THE POWER SUPPLY CORD HOLE IN A METAL CABINET WITH THE POWER SUPPLY CORD BUSHING. FAILURE TO DO SO COULD RESULT IN DAMAGE TO THE CORD AND ELECTRIC SHOCK.**

5. Cut out the venting areas (with the saber saw):
  - Roof-Vented: cut out the shaded area marked **L** on the upper cabinet template.
  - Wall-Vented: cut out the shaded area marked **O** on the wall template.
  - Room-Vented: go to STEP 5, INSTALLING THE MOUNTING PLATE, located on next page.
6. Complete whichever venting system you have chosen.  
Use caulking compound to seal the exterior wall or roof opening around the wall cap or roof cap.

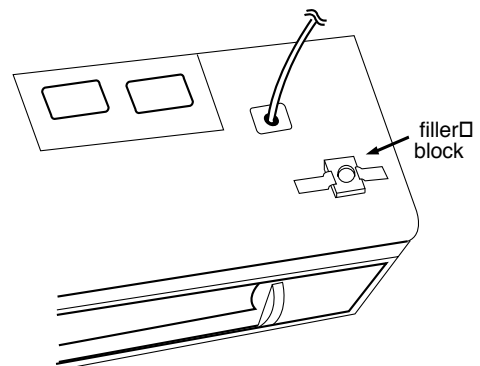


Figure 24

# Installation

## STEP 5: INSTALL THE MOUNTING PLATE

1. Remove the templates from upper cabinet and wall.

**NOTE:** If you are venting the oven through the wall, be sure you align the damper/connector on the rear of the mounting plate with the 3 1/4"x10" duct. Be sure the damper moves freely. See Figure 26.

2. Prepare the toggle bolts by putting the bolts through the corner holes and attaching a spring toggle head to the end of each toggle bolt as shown in Figure 27.

3. Place the mounting plate against the wall and match the screw holes. See Figure 28.

**NOTE:** Be sure to leave at least one wall-thickness of space between the head of the toggle bolt and the spring toggle head so that the spring toggle can open on the inside of the wall, as shown in Figure 29. You may have to pull out slightly on the bracket to put tension on the toggles.

4. Locate the stud holes (3/16") and insert the lag screws through the mounting plate and into the holes. See Figure 30.

5. Insert the toggle bolts through the drywall holes (3/4"). Tighten the toggle bolts.

6. Slide the washer onto the lock pin and place inside the upper cabinet for future use as directed on page 44. See Figure 31.

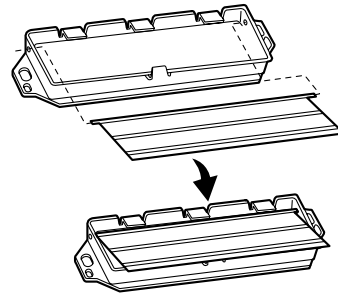


Figure 25

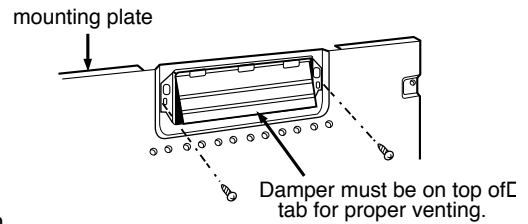


Figure 26

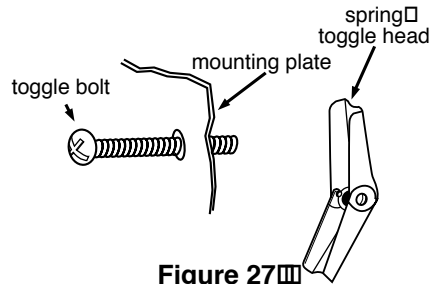


Figure 27

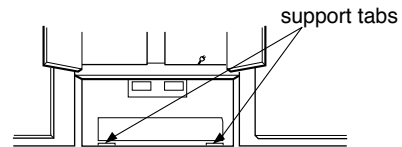


Figure 28

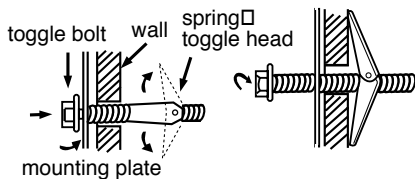


Figure 29

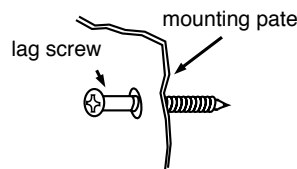


Figure 30

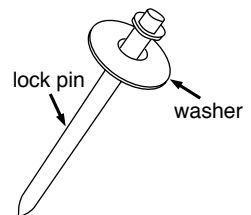


Figure 31

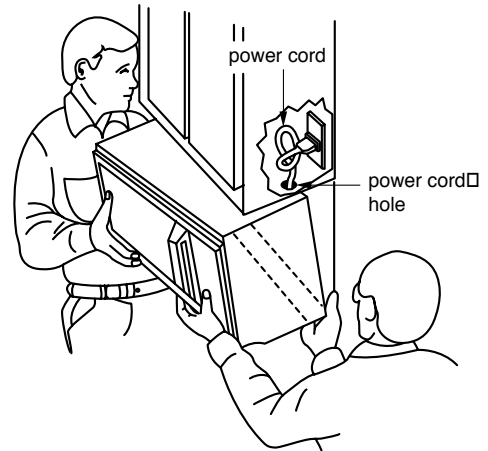
# Installation

## STEP 6: ATTACH THE OVEN TO THE WALL

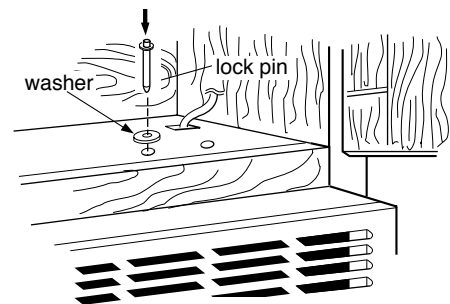
### **WARNING**

**You will need two people to lift this microwave.  
Failure to use more than one person could  
result in personal injury.**

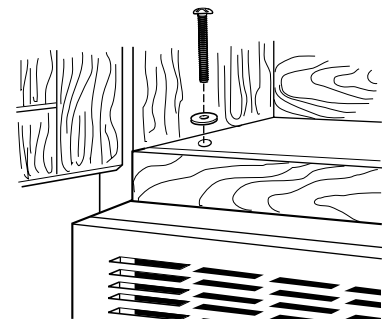
1. Carefully lift microwave oven and hang it on support tabs (See Figure 28 at the bottom of the mounting plate. Reaching through upper cabinet, thread power supply cord through the power supply cord hole in the bottom of the upper cabinet. See Figure 32.
2. Rotate the microwave upward so the top of oven is against the bottom of the upper cabinet or cabinet frame.
3. Drop the lock pin and washer assembly into hole **N** (left side hole) and push the pin down as far as it will go. See Figure 33.
4. Place washers over two 1/4"x3" bolts. Then insert a bolt down through each hole in the upper cabinet bottom. Tighten the bolts until the gap between the upper cabinet and microwave oven is closed. See Figure 34.
5. Remove the lock pin and washer.  
If wall-vented or room-vented installation is used, skip to No. 8.



**Figure 32**



**Figure 33**



**Figure 34**

# Installation

## STEP 6: ATTACH THE OVEN TO THE WALL

6. Roof-vented installation: Align the damper/duct connector with the vent on top of the microwave oven. Damper should be on top of tab. Use two tapping screws (bright-colored) to attach damper/duct connector to the microwave oven. See Figure 36.

NOTE: Damper/duct connector must be attached to microwave oven **after** microwave oven is installed.

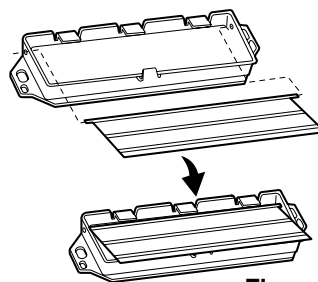


Figure 35

7. Roof venting installation: Install ductwork through the vent opening in the upper cabinet. Complete the venting system through the roof according to the method needed. See Figure 37. See PREPARE THE VENTING SYSTEM, STEP 2. Use caulking gun to seal the exterior roof opening around the exhaust cap. See Figure 6.

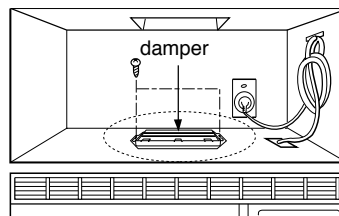


Figure 36

8. Use the power supply cord clamp to bundle the power supply cord. Install the power supply cord clamp, using a screw as shown in Figure 37, to inside of the cabinet.

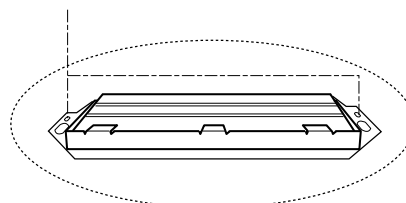


Figure 36 Detail

9. Grasp filter screen with one hand holding the ring and the other hand holding the opposite end. Insert the end of the filter screen without ring into the opening and slide towards the side of the microwave oven. Insert ring end of filter screen into the opening and slide entire screen towards the center of the microwave until screen is securely in position. Repeat for other filter screen. See Figure 38.

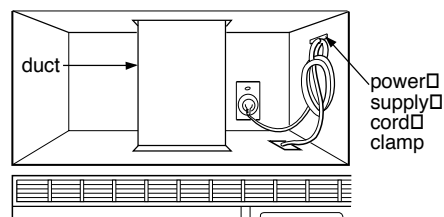


Figure 37

10. Plug in the power supply cord.

11. Read your Owner's Manual, then check the operation of your microwave oven.

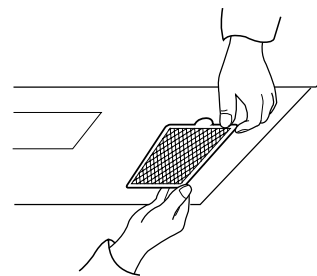


Figure 38

# Warranty

## **Amana**<sup>®</sup> VENT HOOD MICROWAVE OVEN FULL ONE YEAR WARRANTY FULL FIVE YEAR WARRANTY ON MAGNETRON TUBE

### **FIRST YEAR**

Amana Appliances will replace, including related labor and travel, any part (f.o.b. Amana, Iowa) which proves to be defective as to workmanship or materials.

### **SECOND THRU FIFTH YEAR**

Amana Appliances will repair or replace, including related labor and travel, a magnetron tube, (f.o.b. Amana, Iowa), which proves defective as to workmanship or materials.

### **OWNER'S RESPONSIBILITIES:**

- Provide proof of purchase. (Sales Receipt)
- Provide normal care and maintenance, including cleaning as instructed in owner's manual.
- Replace owner replaceable items where directions appear in the Owner's Manual.
- Make product accessible for service.
- Pay for premium service costs for service outside servicer's normal business hours.
- Pay for service calls related to product installation and customer education.

### **ITEMS NOT COVERED:**

- Normal product maintenance and cleaning.
- Lost or broken air filters.
- Light bulbs.
- Damages which occur in shipment.
- General rebuilding or refurbishing that is not a legitimate warranty repair.
- Failures caused by:
  - Unauthorized service.
  - Grease or other material buildup due to improper cleaning or maintenance.
  - Accidental or intentional damage.
  - Connection to an improper power supply.
  - Acts of God.
  - Operating an empty oven.
  - Use of improper pans, containers, or accessories that causes damage to the product.

### **WARRANTY LIMITATIONS:**

- Begins at date of original purchase.
- Applies to product used for NORMAL food preparation.
- Applies to product used within the United States or in Canada if product has appropriate agency listing when shipped from the factory.
- Service must be performed by an authorized Amana servicer.

### **WARRANTY IS VOID IF:**

- Serial plate is defaced.
- Product is altered by user.
- Product is not installed or used according to manufacturer's instructions.
- Product is used on a commercial, rental, or leased, basis.

### **IN NO EVENT SHALL AMANA APPLIANCES BE LIABLE FOR INCIDENTAL OR CONSEQUENTIAL DAMAGES\***

\*This warranty gives you specific legal rights and you may have others which vary from state to state. For example, some states do not allow the exclusion or limitation of incidental or consequential damages so this exclusion may not apply to you.

For answers to questions regarding the above or to locate an authorized Amana servicer, contact:

Amana Appliances  
2800 220th Trail  
PO Box 8901  
Amana, Iowa 52204-0001  
USA  
1-800-843-0304 inside U.S.A.  
1-319-622-5511 outside U.S.A.

# ***Amana***<sup>®</sup>

## **Over-The-Range Four à micro-ondes Manuel de L'utilisateur, Guide de cuisson, et Instructions pour L'installation**

**MVH250E**

**MVH250W**

**MVH250L**

Conserver ces instructions pour consultation ultérieure. En cas de changement de propriétaire du four à micro-ondes, veiller à laisser ce manuel avec le four à micro-ondes.

Part No./Pièce n°. 12401522  
Printed in Korea  
Imprimé en Corée  
P/NO.: 3828W5A1063

# Table Des Matières

<b>TABLE DES MATIÈRES</b> .....	2	Cuisson automatique “AUTO COOK” .....	15
<b>MESURES DE PRÉVENTION</b> .....	3	Guide de cuisson automatique .....	16
Quelques précautions à prendre pour éviter une exposition dangereuse aux micro-ondes .....	3	Réchauffage automatique .....	17
Mesures de prévention importantes .....	4, 5	Guide de Réchauffage automatique.....	17
<b>RENSEIGNEMENTS IMPORTANTS</b>		Décongélation automatique .....	18
<b>RELATIFS À VOTRE FOUR</b> .....	6	Quelques trucs sur la décongélation .....	18
Emplacement du numéro de modèle.....	6	Tableau de décongélation automatique .....	19
Identification de modèle .....	6	Décongélation Temps.....	21
Pièces et accessoires .....	6	Grille de métal à deux positions .....	21
Service .....	6	<b>CUISSON</b> .....	<b>22</b>
Programme de service prolongé Asure <sup>MC</sup> .....	6	Pour Obtenir Les Meilleurs Résultats De Cuisson...22	
Exigences en électricité .....	6	Poisson et Mollusques.....	22
Instructions relatives à la mise à la terre électrique.....	6	Amuse-gueule/Sauces/Soupes .....	23
Caractéristiques du four à micro-ondes .....	7	Viandes .....	23
Spécifications du four.....	7	Volaille .....	25
Panneau des commandes du four .....	8	Pâtes et Riz .....	26
<b>FONCTIONNEMENT</b> .....	<b>10</b>	<b>ENTRETIEN</b> .....	<b>27</b>
Apprenez à connaître votre four à micro-ondes ....	10	Entretien et nettoyage .....	27
Aide.....	10	La grille de métal .....	27
Horloge .....	10	Nettoyer les filtres pour la graisse .....	27
Minuterie pratique .....	10	Remplacement du filtre à charbon .....	27
Réglages sur mesure .....	10	Remplacement de la lumière/ veilleuse de la hotte.....	28
Réglage élevé-faible-hors circuit du ventilateur .....	11	Remplacement de l'ampoule de la cavité interne du four .....	28
Mise en marche/arrêt de la table tournante .....	11	<b>GUIDE DES PLATS À L'ÉPREUVE</b>	
Verrouillage de sécurité à l'épreuve des enfants ....	11	<b>DES MICRO-ONDES</b> .....	<b>29</b>
Réglage élevé-faible-hors circuit de la lumière .....	11	<b>AVANT DE PLACER UN APPEL DE SERVICE</b> .....	<b>30</b>
Minuterie de la lumière .....	11	<b>QUESTIONS ET RÉPONSES</b> .....	<b>30</b>
Cuisson à mise en marche simplifiée .....	12	<b>INSTALLATION</b> .....	<b>31</b>
Garde-au-chaud.....	12	Votre Sécurité Avant Tout .....	31
Mémoire(Favorite recipe) .....	12	Pièces, Outils, Matériaux .....	34
Plus/Moins.....	12	Étape 1: Prépara Raccordements Électriques.....	36
Cuisson à puissance élevée .....	13	Étape 2: Préparez Le Système De Ventilation.....	37
Cuisson à puissance minimale .....	13	Étape 3: Préparer La Soufflerie Du Ventilateur .....	39
Cuisson à plus d'un cycle.....	13	Étape 4: Préparation Du Mur Et De L'armoire Supérieure Avant L'installation.....	41
Guide de la cuisson à puissance minimale .....	14	Étape 5: Installation De La Plaque De Montage .....	43
Maïs soufflé.....	15	Étape 6: Installer Le Four Au Mur .....	44
Pommes de terre “POTATO” .....	15	<b>GARANTIE</b> .....	<b>46</b>
Pizza.....	15		
Brevages “BEVERAGE” .....	15		



### **QUELQUES PRÉCAUTIONS À PRENDRE POUR ÉVITER UNE EXPOSITION DANGEREUSE AUX MICRO-ONDES.**

- **N'essayez pas de faire fonctionner ce four en laissant la porte ouverte** car si vous réussissez à l'utiliser avec la porte ouverte, vous risquez de vous exposer aux micro-ondes. Il est crucial de ne pas tenter de déjouer ni d'altérer les systèmes sécuritaires de verrouillage de l'appareil.
- **Ne faites pas fonctionner le four s'il est endommagé.** Il est surtout important de vérifier si la porte du four se referme adéquatement et s'il n'y a pas de dommage aux pièces suivantes :
  - la porte (tordue).
  - les charnières et les loquets (brisés ou lâches).
  - les joints d'étanchéité des portes.
- **Ne placez pas d'objets entre la devanture du four et la porte;** de plus, évitez de laisser les résidus de détergents ni la poussière s'accumuler sur les joints d'étanchéité.
- **Le four ne doit pas être manipulé, ajusté ni réparé** par personne d'autre qu'un technicien qualifié.

# Mesures De Prévention

## MESURES DE PRÉVENTION IMPORTANTES

Les mesures de prévention ci-dessous vous indiqueront comment utiliser votre four et comment ne pas vous blesser ni endommager l'appareil.

### AVERTISSEMENT

Afin de réduire les risques de brûlure, choc électrique, incendie, blessure corporelle et pour éviter toute exposition aux micro-ondes.

- **Lire toutes les instructions avant d'utiliser votre four.**
- **Ne laissez pas les enfants utiliser ce four sans supervision.**
- Veuillez lire la section "**PRÉCAUTIONS À PRENDRE POUR ÉVITER UNE EXPOSITION DANGEREUSE AUX MICRO-ONDES**" à la page 3.
- **N'utilisez pas** de produits chimiques corrosifs dans le four à micro-ondes. Ce four a été spécifiquement conçu pour réchauffer, cuire ou sécher les aliments. Il n'a pas été conçu pour l'usage industriel ni de laboratoire.
- **N'utilisez ni n'entrez pas** cet appareil à l'extérieur. N'utilisez pas cet appareil près des sources d'humidité - par exemple, près d'un évier de cuisine, dans un sous-sol humide ni près d'une piscine.
- **Ne vous servez pas** de la cavité interne du four en tant qu'espace de rangement. Ne laissez pas de papiers, cartons, ustensiles de cuisson ni de nourriture dans la cavité lorsque vous n'utilisez pas le four.
- **Nettoyez régulièrement la hotte du ventilateur.** Ne laissez pas la graisse s'accumuler sur la hotte ni sur les filtres.
- Nettoyez les filtres de la hotte du ventilateur avec soin. Des agents de nettoyage corrosifs tels que des nettoyeurs à base de lessive peuvent endommager les filtres.
- **Ne trafiquez pas les commutateurs de sûreté intégrés dans la porte du four.** Le four possède plusieurs commutateurs de sûreté servant à mettre l'appareil hors circuit lorsque la porte est ouverte.
- Lorsque vous flambez les aliments sous la hotte, ouvrez le ventilateur.
- Ce four a été conçu pour fonctionner au-dessus des cuisinières/plaques de cuisson à gaz ou électriques, mesurant 36 po. de large ou moins.
- **N'utilisez pas ce four à des fins commerciales ni industrielles.** Il a été conçu à des fins domestiques seulement.
- **Lorsque vous nettoyez la porte et les surfaces qui la touchent, n'utilisez qu'un savon doux et non abrasif ou des détergents doux et une éponge.**
- **Si votre four a été échappé ou endommagé,** apportez-le chez un technicien qualifié avant de le réutiliser.
- **Afin d'éviter tout risque d'incendie:**
  - **Ne cuisez pas les aliments.** Les aliments cuits peuvent déclencher un incendie dans un four. Surveillez le four de près, surtout si vous y mettez du papier, plastique ou tout autre matériau combustible.
  - **N'entrez pas des items combustibles (pain, biscuits, etc.) dans le four.**
  - **N'utilisez pas d'attaches de métal dans le four.** Enlevez-les avant de placer l'aliment dans le four.
- **Si un incendie devait se déclarer:**
  - **Gardez la porte du four fermée.**
  - **Mettez le four hors tension.**
  - **Débranchez la fiche de la prise de courant ou coupez le courant dans la boîte du disjoncteur ou des fusibles.**
- **Afin d'éviter tout choc électrique:**
  - **Cet appareil doit être mis à la terre.** Ne le raccordez qu'à une prise de courant mise à la terre de façon adéquate. Référez-vous aux instructions de mise à la terre à la page 6.
  - **Ne faites pas fonctionner l'appareil si le cordon d'alimentation est endommagé,** ni si celui-ci ne fonctionne pas normalement ou s'il a été endommagé ou échappé.
  - **N'immergez pas le fil d'alimentation ni la fiche dans l'eau.**
  - **Éloignez le fil d'alimentation des sources de chaleur.**
  - **Ne vous servez pas de cordon d'extension.**

# Mesures De Prévention

---

- **Pour éviter de cuire certains types d'aliments de la mauvaise façon.**
  - **Ne réchauffez pas les biberons ni tout type d'aliments pour bébés.** Un réchauffage inégal peut causer des blessures graves à l'enfant.
  - **Ne réchauffez pas les bouteilles dont l'ouverture est petite,** telles que les bouteilles de syrop.
  - **Ne faites pas de friture dans le four à micro-ondes.**
  - **Ne faites pas vos conserves maison dans votre four à micro-ondes.**
  - **Ne cuisez pas les aliments suivants:** oeufs entiers dans leur coquille; de l'eau qui contient de l'huile ou du gras; des contenants scellés ou des pots en verre fermés. Ces items peuvent exploser.
- Ne recouvrez ni n'obstruez pas les ouvertures de ce four à micro-ondes.
- Utiliser ce four à micro-ondes uniquement pour les applications auxquelles il est destiné, telles qu'elles sont décrites dans ce manuel.
- Ne faites pas fonctionner le four à vide, sans qu'il n'y ait de nourriture à l'intérieur.
- Ne laissez pas le cordon d'alimentation pendre sur le rebord du comtoir ou de table.
- Préservez la fond du four.
  - Ne cuisez pas le fond du four dangereusement.
  - **Ne laissez pas** la pellicule grise de certains emballages pour les fours à micro-ondes toucher à la cavité interne du four. Placez l'emballage dans un plat pour fours à micro-ondes.
  - **Ne cuisez pas** des aliments directement sur la surface du four, sous l'assiette de verre. Servez-vous d'un plat à l'épreuve des micro-ondes.
  - Si vous utilisez un plat brunisseur, élevez-le d'au moins 3/16ième po. au-dessus du plancher du four. Veuillez lire et suivre attentivement les instructions du plat brunisseur. Si vous utilisez mal le plat brunisseur, vous pourriez endommager le fond du four.
- N'installez ce four que si vous respectez les instructions d'installtion incluses.
- Cet appareil ne doit être réparé que par un technicien qualifié. Pour tout appel de service, estimation ou ajustement, entrez en communication avec le centre de service le plus près de chez vous.

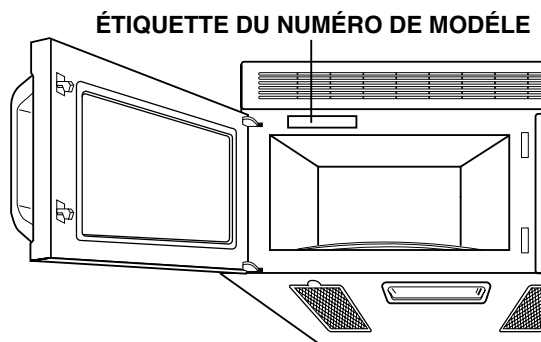
**CONSERVEZ CES INSTRUCTIONS**

# Renseignements Importants Relatifs À Votre Four

Nous vous prions de lire attentivement ce guide d'utilisation. Il vous aidera à profiter de toutes les caractéristiques de ce four.

## EMPLACEMENT DU NUMÉRO DE MODÈLE

Pour vous procurer des renseignements sur le service ou les pièces de remplacement, Centre de service aura besoin du numéro de modèle de votre four à micro-ondes. L'étiquette du numéro de modèle est située à l'avant du four à micro-ondes.



ÉTIQUETTE DU NUMÉRO DE MODÈLE

## IDENTIFICATION DE MODÈLE

Veuillez remplir et retourner sans délai la carte d'enregistrement incluse. Si la carte d'enregistrement manque, communiquer avec le service aux consommateurs au 1-800-843-0304 aux É.-U. En dehors de É.-U., composez 1-319-622-5511. Lors de communication avec Amana, veuillez fournir des renseignements concernant le produit, situés sur la plaque signalétique. Inscrivez ce qui suit:

Numéro de modèle : \_\_\_\_\_  
Numéro de fabrication : \_\_\_\_\_  
Numéro de série ou S/N : \_\_\_\_\_  
Date de l'achat : \_\_\_\_\_  
Nom et adresse du marchand : \_\_\_\_\_

## PIÈCES ET ACCESSOIRES

Achetez des pièces de remplacement et d'autres accessoires (ex.: étagères de réfrigérateur, paniers de sécheuse, ou modules de table de cuisson) par téléphone. Pour commander des accessoires pour votre produit Amana, composez 1-800-843-0304 aux É.-U., ou 1-319-622-5511 hors des É.-U.

## SERVICE

Gardez une copie du reçu de vente pour référence ultérieure ou dans les cas où le service sous garantie est requis. Toutes les questions ou demande d'adresse d'un service autorisé, composez 1-800-NAT-LSVC (1-800-628-5782) aux É.-U., ou 1-319-622-5511 hors des É.-U. Le service sous garantie doit être exécuté par un service autorisé. Amana recommande aussi de contacter un service autorisé même si le service est requis après l'expiration de la garantie.

## PROGRAMME DE SERVICE PROLONGÉ ASURE<sup>MC</sup>

Amana offre une protection par l'entremise d'un service prolongé pour ce nouveau four. Le programme de service prolongé Asure<sup>MC</sup> est spécialement conçu pour suppléer à la garantie élaborée d'Amana. Le programme couvre les pièces, la main-d'oeuvre et les frais de déplacement. Composez 1-800-528-2682 pour des renseignements.

## EXIGENCES EN ÉLECTRICITÉ

Ce four a été conçu pour fonctionner sur une prise de courant domestique standard de 120V/60Hz. Assurez-vous que le circuit soit d'au moins 15 ou 20A et que le four à micro-ondes soit le seul appareil sur le circuit. Cet appareil n'a pas été conçu pour fonctionner sur une tension de 50Hz ou tout autre circuit que 120V/60 Hz.

## INSTRUCTIONS RELATIVES À LA MISE À LA TERRE ÉLECTRIQUE

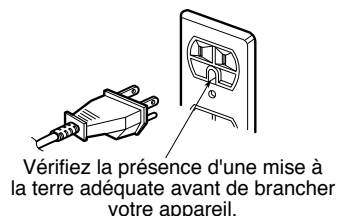
**Vous devez effectuer la mise à la terre de cet appareil.** S'il devait survenir un court-circuit, la mise à la terre réduit les risques de choc électrique en procurant au courant une route alternative. Cet appareil est muni d'un fil adéquat et d'une fiche dont l'une des broches sert à la mise à la terre. La fiche doit être branchée dans une prise bien installée et possédant la mise à la terre.

Ne vous servez pas de cordon d'extension.

### AVERTISSEMENT

**Une mauvaise utilisation de la prise avec broche de mise à la terre pourrait présenter un risque de choc électrique.**

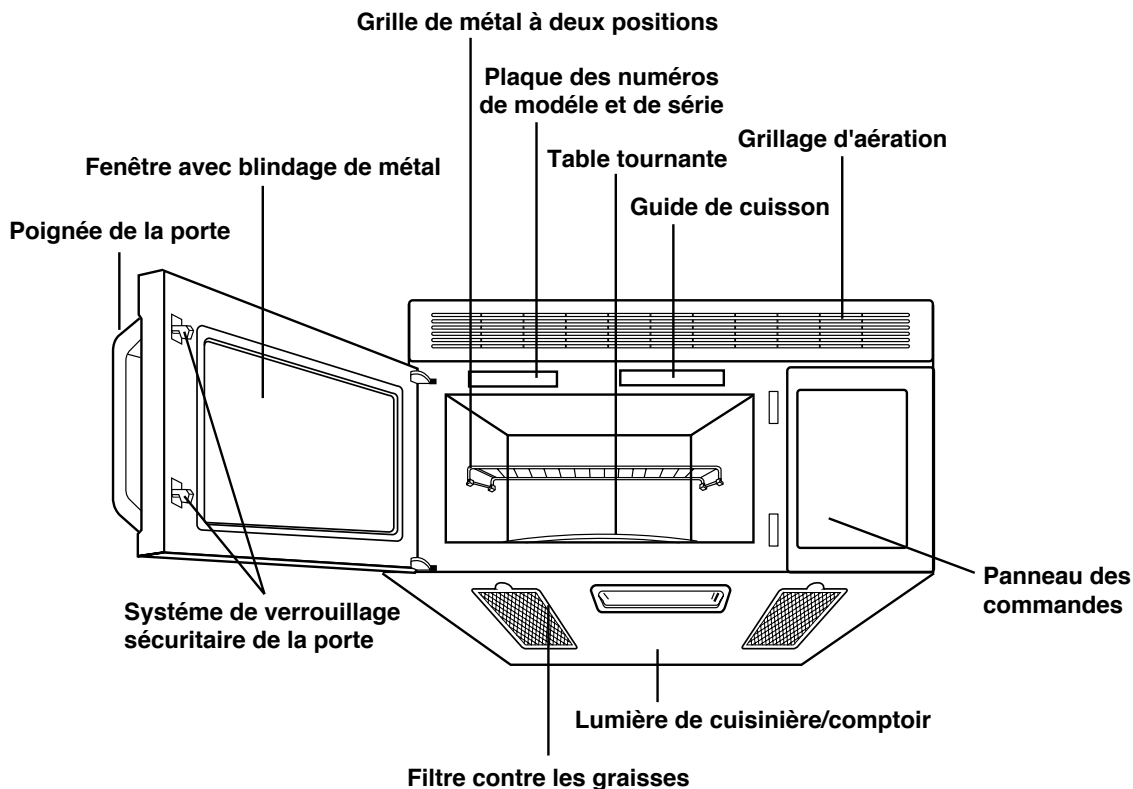
Référez-vous à un électricien qualifié si vous ne comprenez pas toutes les instructions se rapportant à la mise à la terre ou si vous croyez que l'appareil n'est pas mis à la terre de façon adéquate. Puisque cet appareil s'installe sous les armoires, nous vous fournissons un cordon d'alimentation court. Référez-vous aux instructions d'installation pour les directives sur le placement adéquat du cordon. Gardez le cordon d'alimentation au sec et ne le pincez pas d'aucune manière.



Vérifiez la présence d'une mise à la terre adéquate avant de brancher votre appareil.

# Renseignements Importants

## CARACTÉRISTIQUES DU FOUR À MICRO-ONDES

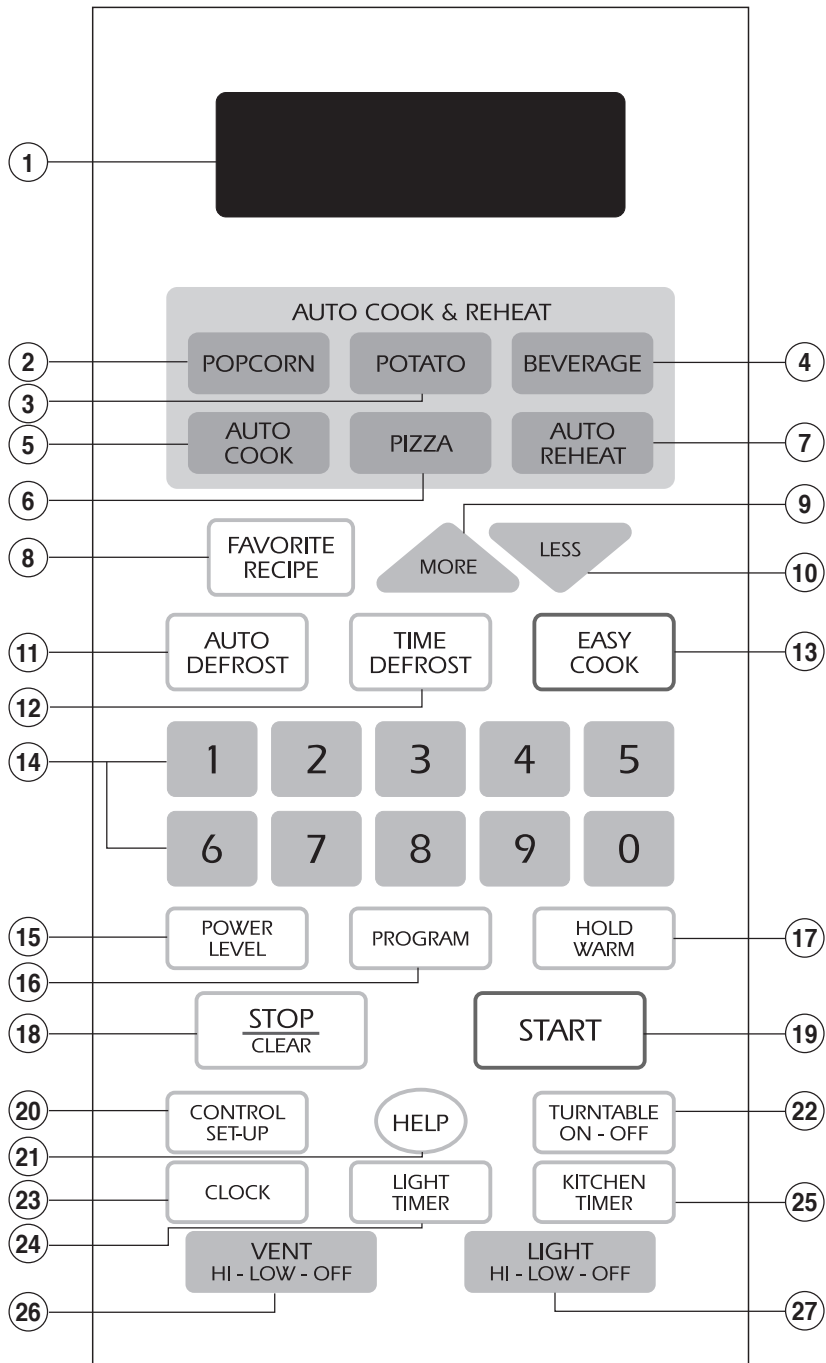


## SPÉCIFICATIONS DU FOUR

Tension assignée du four	120 VCA. 60 Hz
Consommation de couran	1500 W
Puissance des soutie	1000 W (Normes 705 Standard de la IEC)
Fréquence des micro-ondes	2450 MHz
Ampérage	14 A
Dimensions extérieures	29-15/16" x 16-7/16" x 15-3/8"
Volume de la cavité	1,5 Pi. Cu.
Poids net	65 lbs

# Renseignements Importants

## PANNEAU DES COMMANDES DU FOUR



# Renseignements Importants

---

- 1. AFFICHAGE “DISPLAY”:** L’affichage contient une horloge et des voyants qui vous indiqueront l’heure de la journée, les réglages de la durée de cuisson et les fonctions de cuisson sélectionnées.
- 2. MAÏS SOUFLÉ “POPCORN”:** Appuyez sur cette touche lorsque vous faites éclater du maïs dans votre four à micro-ondes. Consultez la page 15 pour plus de détails.
- 3. POMME DE TERRE “POTATO”:** Appuyez sur cette touche pour cuire des pommes de terre (de 1 à 4). Référez-vous à la page 15 pour plus de détails.
- 4. BREUVAGES “BEVERAGE”:** Cette touche sert à réchauffer une ou deux tasses de breuvage. Référez-vous à la page 15 pour plus de détails.
- 5. CUISSON AUTOMATIQUE “AUTO COOK”:** Appuyez sur cette touche afin de cuire des légumes, du riz et des plats cuisinés. Voir à la page 15 pour plus de détails.
- 6. PIZZA:** Cette touche sert à ré chauffer la pizza. Consultez la page 15 pour plus de détails.
- 7. RÉCHAUFFAGE AUTOMATIQUE “AUTO REHEAT”:** Cette touche sert à réchauffer la assiette d’aliment, les soupes, les sauces, les plats cuisinés, les petits pains et les muffins. Voir à la page 17 pour plus de détails.
- 8. MÉMOIRE “FAVORITE RECIPE”:** Cette touche sert à rappeler les instructions de cuisson préalablement entrés en mémoire. Référez-vous à la page 12 pour plus de détails.
- 9. PLUS “MORE”:** Appuyez sur MORE et vous ajouterez 10 secondes à la durée de la cuisson. Référez-vous à la page 12 pour plus de détails.
- 10. MOINS “LESS”:** Appuyez sur LESS et vous soustrairez 10 secondes du temps de cuisson. Référez-vous à la page 12 pour plus de détails.
- 11. DÉCONGÉLATION AUTOMATIQUE “AUTO DEFROST”:** viandes, volailles, poissons. Choisissez le type de nourriture en appuyant sur la touche appropriée et décongelez les aliments par le poids. Référez-vous à la page 18 pour plus de renseignements.
- 12. DÉCONGÉLATION TEMPS “TIME DEFROST”:** La fonction de temps décongélation vous permet temps en cuisson. Référez-vous à la page 21 pour plus de détails.
- 13. CUISSON À MISE EN MARCHÉ SIMPLIFIÉE “EASY COOK”:** Cette touche vous permet d’économiser du temps en réglant et en mettant en marche rapidement votre four à micro-ondes, sans avoir à appuyer sur la touche **START**. Référez-vous à la page 12 pour plus de détails.
- 14. TOUCHES NUMÉRIQUES:** Servez-vous de ces numéros pour entrer la durée de cuisson, le niveau de puissance, les quantités ou les poids.
- 15. NIVEAU DE PUISSANCE:** Appuyez sur cette touche afin de choisir un niveau de puissance.
- 16. DURÉE “PROGRAM”:** Appuyez sur cette touche afin de régler la durée de la cuisson.
- 17. TOUCHE DE GARDE-AU-CHAUD “HOLD WARM”:** Cette touche sert à conserver la chaleur des aliments dans le four à micro-ondes pendant 99 minutes et 99 secondes. Consultez la page 12 pour plus de détails.
- 18. ARRÊT/ANNULATION “STOP/CLEAR”:** Cette touche sert à arrêter le four ou annuler toutes les entrées de données.
- 19. DÉPART “START”:** Cette touche sert à partir une fonction. Si, après avoir débuté la cuisson, vous ouvrez la porte du four, appuyez de nouveau sur la touche “START”.
- 20. RÉGLAGES SUR MESURE “CONTROL SET-UP”:** Cette touche sert à changer les réglages pré-ajustés par défaut dans le four, tels que ceux du son, de l’horloge, de la vitesse de l’affichage, du poids de la décongélation et du fonctionnement du mode de démonstration. Voir à la page 10 pour plus de détails.
- 21. AIDE “HELP”:** Appuyez sur cette touche afin d’apprendre à connaître chaque fonction du four. Référez-vous à la page 10 pour plus de détails.
- 22. MISE EN MARCHÉ/ARRÊT DE LA TABLE TOURNANTE “TURNTABLE ON/OFF”:** Cette touche sert à activer/désactiver la table tournante. **OFF** apparaîtra à l’affichage. Voir à la page 11 pour plus de détails.
- 23. HORLOGE “CLOCK”:** Cette touche sert à entrer l’heure du jour. Voir à la page 10 pour plus de détails.
- 24. MINUTERIE DE LA LUMIÈRE “LIGHT TIMER”:** Appuyez sur cette touche afin d’activer la minuterie de la lumière. Voir à la page 11 pour plus de détails.
- 25. MINUTERIE PRATIQUE “KITCHEN TIMER”:** Cette touche sert à activer la minuterie du four. Voir à la page 10 pour plus de détails.
- 26. RÉGLAGE ÉLEVÉ · FAIBLE · HORS CIRCUIT DU VENTILATEUR “VENT HI-LOW-OFF”:** Appuyez sur cette touche lorsque vous désirez mettre le ventilateur en marche/arrêt. Voir à la page 11 pour plus de détails.
- 27. RÉGLAGE ÉLEVÉ · FAIBLE · HORS CIRCUIT DE LA LUMIÈRE “LIGHT HI-LOW-OFF”:** Appuyez sur cette touche afin d’allumer/éteindre la lumière de la cuisinière/comptoir. Référez-vous à la page 11 pour plus de détails.

# Fonctionnement

## APPRENEZ À CONNAÎTRE VOTRE FOUR À MICRO-ONDES

Cette section décrit les concepts de la cuisson par micro-ondes et vous introduira aux instructions de base pour que vous puissiez faire fonctionner votre four à micro-ondes. Veuillez lire les renseignements suivants avant d'utiliser votre appareil.



### MISE EN GARDE

Ne faites pas fonctionner le four à vide.

### AIDE "HELP"

L'affichage de l'aide (HELP) vous donne des renseignements et des trucs utiles. Appuyez sur la touche HELP, puis choisissez une touche.

Par exemple: Apprendre les détails concernant le départ rapide "POPCORN"



1. Appuyez sur **HELP** clavier.



2. Appuyez sur **POPCORN** clavier.

### HORLOGE "CLOCK"

Ce four est muni d'une horloge de 24 heures.

Par exemple: Régler à 8:00 am.

CLOCK

1. Appuyez sur **CLOCK** clavier.  
(Appuyez une fois sur AM, deux fois sur PM.)

8

0

0

2. Entrez la durée à l'aide du clavier des touches numériques.

CLOCK

3. Appuyez sur **CLOCK** clavier.

### MINUTERIE PRATIQUE "KITCHEN TIMER"

Vous pouvez utiliser votre four à micro-ondes comme minuterie. Celle-ci peut compter les minutes, jusqu'à un maximum de 99 minutes, 99 secondes.

Par exemple: Durée 3 minutes

KITCHEN  
TIMER

1. Appuyez sur **KITCHEN TIMER** clavier.

3

0

0

2. Entrez la durée à l'aide du clavier des touches numériques.

START

3. Appuyez sur **START** clavier.  
Lorsque le temps est écoulé, vous entendrez 7 bips et "END" (FIN) apparaîtra à l'affichage.

### RÉGLAGES SUR MESURE "CONTROL SET-UP"

Vous pouvez changer les valeurs par défaut de la sonorité du bip, l'horloge, la vitesse de l'affichage, le poids de la décongélation et le mode de démonstration.

Consultez le tableau suivant pour plus de renseignements.

NUMÉRO	RÉGLAGES	NUMÉRO	RESULTAT
1	Commande de mise en/hors circuit des bips	1	Son activé
		2	Son désactivé
2	Commande de l'affichage de l'horloge	1	Horloge activée
		2	Horloge désactivée
3	Affichage	1	Vitesse lente
		2	Vitesse normale
		3	Vitesse rapide
4	Sélection du mode de décongélation automatique	1	Lbs
		2	Kg
5	Sélection du mode de démonstration	1	Démo activée
		2	Démo désactivée

Par exemple: Changer le mode de décongélation par le poids (de lbs à kg)

CONTROL  
SET-UP

1. Appuyez sur **CONTROL SET-UP** clavier.

4

2. Appuyez sur le numéro **4** clavier.

2

3. Appuyez sur le numéro **2** clavier.



# Fonctionnement

## RÉGLAGE ÉLEVÉ • FAIBLE • HORS CIRCUIT DU VENTILATEUR

VENT  
HI - LOW - OFF

Le ventilateur aspire la vapeur et les autres fumées provenant de la surface de cuisson. Appuyez une fois sur la touche VENT afin d'obtenir la vitesse rapide du ventilateur, deux fois pour la vitesse lente et trois fois pour fermer celui-ci.

**REMARQUE:** si la température devient trop chaude autour du four à micro-ondes, le ventilateur de la hotte se mettra automatiquement en marche, au réglage FAIBLE, afin d'aérer le four. Il peut fonctionner pendant une heure afin de refroidir le four. **Lorsque ceci se produit, vous ne pouvez fermer le ventilateur manuellement.**

## MISE EN MARCHÉ/ARRÊT DE LA TABLE TOURNANTE

TURNTABLE  
ON - OFF

Pour de meilleurs résultats de cuisson, laissez la table tournante en fonction. Vous pouvez la désactiver pour les assiettes trop grandes. Appuyez sur la touche TURNTABLE ON/OFF" pour activer/désactiver la table tournante.

### REMARQUE:

- **Il se peut que la table tournante soit trop chaude.** Veillez à ne pas prendre la table tournante pendant ni après la cuisson.
- **Ne faites pas fonctionner le four à vide.**

## VERROUILLAGE DE SÉCURITÉ À L'ÉPREUVE DES ENFANTS

Vous pouvez verrouiller le panneau frontal afin d'empêcher que le four à micro-ondes ne parte automatiquement ou qu'il soit utilisé par des enfants.

La caractéristique du verrouillage de sécurité est également utile lors du nettoyage du tableau de commande. Ce verrouillage empêche la programmation accidentelle lorsqu'on essuie le tableau de commande.

Par exemple: Activer le verrouillage à l'épreuve des enfants

STOP  
CLEAR

0

1. Appuyez sur **STOP/CLEAR** clavier.
2. Appuyez sur la touche **0** clavier et maintenez-la enfoncée pendant plus de 4 secondes. Les lettres "LOCKED"(verrouillé) apparaîtront à l'écran d'affichage et deux bips se feront entendre.

Par exemple: Activer le verrouillage à l'épreuve des enfants

0

1. Appuyez sur la touche **0** clavier et maintenez-la enfoncée pendant plus de 4 secondes. Les lettres "LOCKED"(verrouillé) apparaîtront à l'écran d'affichage et deux bips se feront entendre.

## RÉGLAGE ÉLEVÉ • FAIBLE • HORS CIRCUIT DE LA LUMIÈRE

LIGHT  
HI - LOW - OFF

Appuyez une fois sur la touche **LIGHT** clavier pour obtenir l'éclairage le plus fort, deux fois pour la lumière de nuit et trois fois pour l'éteindre.

## MINUTERIE DE LA LUMIÈRE

Vous pouvez régler la lumière du four pour qu'elle s'allume et s'éteigne automatiquement aux moments désirés. La lumière s'allume au même moment à tous les jours, jusqu'à ce que vous la réinitialisiez.

Par exemple: Allumer à 2:00 am; éteindre à 7:00 am

LIGHT  
TIMER

1. Appuyez sur **LIGHT TIMER** clavier. (Appuyez une fois pour AM, deux fois pour PM.)

2

0

0

2. Entrez l'heure à laquelle vous voulez que la lumière s'allume.

LIGHT  
TIMER

3. Appuyez de nouveau sur **LIGHT TIMER** clavier. (Appuyez une fois pour AM, deux fois pour PM.)

7

0

0

4. Entrez l'heure où vous voulez que la lumière s'éteigne.

START

5. Appuyez sur **START** clavier.

**REMARQUE;** pour reprogrammer la lumière à une heure de mise en/hors circuit différente, répétez les étapes 1 à 5.

Par exemple: Annuler la MINUTERIE DE LA LUMIÈRE

LIGHT  
TIMER

1. Appuyez sur **LIGHT TIMER** clavier.

STOP  
CLEAR

2. Appuyez sur **STOP/CLEAR** clavier.

**REMARQUE;** Si l'on désire annuler le fonctionnement de la minuterie voyant(LIGHT TIMER), presser la touch

LIGHT  
HI - LOW - OFF

# Fonctionnement

## CUISSON À MISE EN MARCHÉ SIMPLIFIÉE “EASY COOK™”

Cette touche vous permet d'économiser du temps en réglant et en mettant en marche rapidement votre four à micro-ondes, sans avoir à appuyer sur la touche **START** clavier.

Par exemple: Si vous désirez programmer une cuisson simplifiée pendant deux minutes:



1. Appuyez quatre fois sur la touche de mise en marche simplifiée **EASY COOK™** clavier.  
Le four débute sa cuisson et le compte à rebours apparaît à l'affichage.

### REMARQUE:

Si vous appuyez sur **EASY COOK™**, vous ajouterez 30 secondes-jusqu'à 3 minutes de cuisson.

Après 3 minutes, chaque pression de la touche ajoutera 1 minute-jusqu'à 99 minutes, 59 seconds.

## GARDE-AU-CHAUD

Vous pouvez garder les aliments au chaud dans votre four à micro-ondes, en toute sécurité, pendant une période maximale de 99 minutes, 99 secondes. Utilisez le garde-au-chaud seul ou suivant immédiatement un cycle de cuisson.

Par exemple: Utiliser le garde-au-chaud.



1. Appuyez sur **HOLD WARM** clavier.



2. Appuyez sur **START** clavier.

### REMARQUES

- Le garde-au-chaud fonctionne pendant un maximum de 99 minutes, 99 secondes.
- Les aliments que vous recouvrez pendant la cuisson doivent également être recouverts pendant le garde-au-chaud.
- Les pâtisseries (tartes, chaussons, etc.) devraient être recouverts pendant le garde-au-chaud.
- Les repas complets que vous gardez au chaud dans une assiette doivent être recouverts pendant le garde-au-chaud.

### Faire suivre automatiquement le garde-au-chaud après un autre cycle de cuisson:

- Tout en programmant les instructions de cuisson, appuyez sur **HOLD WARM** avant d'appuyer sur la touche **START**.
- Lorsque le dernier cycle est terminé, vous entendrez deux bips de tonalité et “WARM” apparaîtra à l'affichage du four.
- Le garde-au-chaud peut être programmé pour suivre immédiatement la DÉCONGÉLATION AUTOMATIQUE ou la cuisson à cycles multiples.

## MÉMOIRE “FAVORITE RECIPE”

La mémoire vous permet de rappeler une instruction de cuisson préalablement programmée dans la mémoire et de commencer immédiatement l'étape de cuisson.

Par exemple: Programmer pendant deux minutes



1. Appuyez sur **FAVORITE RECIPE** clavier.



2. Entrez la durée de la cuisson.



3. Appuyez sur **START** clavier.

Par exemple: Rappeler la mémoire(favorite recipe)



1. Appuyez sur **FAVORITE RECIPE** clavier.



2. Appuyez sur **START** clavier.  
Lorsque la durée de cuisson sera terminée, vous entendrez quatre bips et les lettres “END” (FIN) apparaîtront à l'affichage.

## PLUS/MOINS

En utilisant les touches **MORE** ou **LESS**, vous pouvez ajuster tous les pré-programmes cuisson et de cuisson par minuterie pour augmenter ou diminuer la durée de la cuisson. Appuyez sur **MORE** et vous ajouterez 10 secondes à la durée de la cuisson, appuyez sur **LESS** et vous soustrairez 10 secondes du temps de cuisson.

Par exemple: Ajuster la touche de cuisson à une touche(maïs soufflé) pour en prolonger la durée



1. Pressez **POPCORN** clavier.



2. Pressez 1 clavier.



3. Pressez **MORE** clavier.

# Fonctionnement

## CUISSON À PUISSANCE ÉLEVÉE

Par exemple: Cuire des aliments pendant 8 minutes, 30 secondes.

8

3

0

1. Entrez la durée de la cuisson.

START

2. Appuyez sur **START**.  
Lorsque la cuisson sera terminée, vous entendrez quatre bips et les lettres "END" (FIN) apparaîtront à l'écran.

## CUISSON À PUISSANCE MINIMALE

La cuisson à puissance élevée ne vous donne pas toujours le meilleur rendement en ce qui concerne les aliments qui doivent cuire plus lentement, tels que des rôtis, des plats cuisinés ou des crèmes anglaises. Votre four possède 10 réglages de puissance en plus de la position "HIGH".

Par exemple: Cuire des aliments pendant 7 minutes, 30 secondes, à 70% de sa puissance.

7

3

0

1. Entrez la durée de la cuisson.

POWER  
LEVEL

2. Appuyez sur **POWER LEVEL** clavier.

7

3. Entrez le niveau de puissance.

START

4. Appuyez sur **START** clavier.  
Lorsque la cuisson sera terminée, vous entendrez quatre bips et les lettres "END" (FIN) apparaîtront à l'écran.

## CUISSON À PLUS D'UN CYCLE

Pour obtenir de meilleurs résultats, certaines recettes demandent d'utiliser un niveau de puissance pendant un certain temps, suivi d'un autre niveau de puissance et d'une autre durée. Vous pouvez programmer votre four pour qu'il change automatiquement d'un cycle à un autre, jusqu'à un maximum de trois cycles, si le premier cycle de chauffage est décongelé ou le dernier est de puissance 0%.

Par exemple: Cuire des aliments pendant 3 minutes à 100% de la puissance, puis à 70% de la puissance pendant 7 minutes, 30 secondes.

3

0

0

1. Entrez la première durée de la cuisson.

PROGRAM

2. Appuyez sur **PROGRAM** clavier.

7

3

0

3. Entrez la seconde durée de la cuisson.

POWER  
LEVEL

4. Appuyez sur **POWER LEVEL** clavier.

7

5. Entrez le niveau de puissance.

START

6. Appuyez sur **START** clavier.  
Lorsque la durée de cuisson est terminée, vous entendrez quatre bips et vous verrez les lettres "END" (FIN) à l'affichage.

# Fonctionnement

## GUIDE DE LA CUISSON À PUISSANCE MINIMALE

Les 10 niveaux de puissance en plus de la HIGH vous permettent de choisir le meilleur niveau de puissance pour l'aliment à faire cuire.

Vous trouverez ci-dessous des exemples de mets et les meilleurs niveaux de puissance pour les apprêter, ainsi que le pourcentage de la puissance totale que vous utilisez.

NIVEAU DE PUISSANCE	CAPACITÉ DE PUISSANCE DU MICRO-ONDES	UTILISATION
10 (Élevé) "HI"	100%	<ul style="list-style-type: none"><li>• Faire bouillir de l'eau.</li><li>• Cuire le boeuf haché.</li><li>• Faire des bonbons.</li><li>• Cuire des fruits et légumes frais.</li><li>• Cuire le poisson et la volaille.</li><li>• Préchauffer le plat brunisseur.</li></ul>
9	90%	<ul style="list-style-type: none"><li>• Réchauffer rapidement des tranches de viande.</li><li>• Faire sauter les oignons, céleris et poivrons verts.</li></ul>
8	80%	<ul style="list-style-type: none"><li>• Tous les réchauffages.</li><li>• Cuire les oeufs brouillés.</li></ul>
7	70%	<ul style="list-style-type: none"><li>• Cuire rapidement les produits de céréales.</li><li>• Cuire les mets avec fromage, le veau.</li><li>• Cuire les gâteaux, muffins, brownies et les petits fours.</li></ul>
6	60%	<ul style="list-style-type: none"><li>• Cuire les pâtes.</li></ul>
5	50%	<ul style="list-style-type: none"><li>• Cuire les viandes, poule entière.</li><li>• Cuire la crème anglaise.</li><li>• Cuire un poulet entier, dinde, côtes levées, rôti de côtes roisées, rôti de surlonge.</li></ul>
4	40%	<ul style="list-style-type: none"><li>• Cuire les coupes de viande moins tendres.</li><li>• Réchauffer les plats cuisinés congelés.</li></ul>
3	30%	<ul style="list-style-type: none"><li>• Décongeler la viande, la volaille et les fruits de mer.</li><li>• Cuire de petites quantités de nourriture.</li><li>• Finir la cuisson des plats cuisinés, ragoûts et certaines sauces.</li></ul>
2	20%	<ul style="list-style-type: none"><li>• Amollir le beurre et le fromage à la crème.</li><li>• Réchauffer de petites quantités de nourriture.</li></ul>
1	10%	<ul style="list-style-type: none"><li>• Amollir la crème glacée.</li><li>• Faire lever la pâte à pain.</li></ul>
0		<ul style="list-style-type: none"><li>• Temps de repos.</li></ul>

# Fonctionnement

## MAÏS SOUFLÉ

La fonction de maïs soufflé vous permet de faire éclater des sacs de 1,75, 3,0 et 3,5 onces de maïs soufflé dans les emballages commerciaux. Ne faites éclater qu'un sac à la fois. Si vous utilisez une machine à faire éclater le maïs, suivez les instructions du fabricant. Pour régler correctement votre four à micro-ondes, suivez ce tableau:

Poids des sacs - onces	1,75	3,0	3,5
Numéro de la touche	1	2	3

Par exemple: Faire éclater un sac de 3,0 oz

POPCORN

1. Appuyez sur **POPCORN** clavier.
2. Appuyez sur le numéro **2** clavier. Lorsque la durée de la cuisson sera terminée, vous entendrez quatre bips et les lettres "END" (FIN) apparaîtront à l'écran.

2

## POMMES DE TERRE "POTATO"

La fonction "POTATO" vous permet de cuire des pommes de terre en utilisant les durées pré-réglées et les niveaux de puissance. Vous pouvez choisir de cuire de 1 à 4 pommes de terre.

### REMARQUES:

- Le temps de réchauffage est basé sur une pomme de terre de 8 onces.
- Avant de procéder à la cuisson, percez plusieurs fois la pomme de terre avec une fourchette.
- Lorsque la cuisson est terminée, laissez l'aliment au repos pendant 5 minutes, dans un enrobage d'aluminium.

Par exemple: Cuire 2 pommes de terre

POTATO

1. Appuyez sur **POTATO** clavier.
2. Appuyez sur le numéro **2** clavier. Lorsque la durée de cuisson sera terminée, vous entendrez quatre bips et les lettres "END" (FIN) apparaîtront à l'affichage.

2

## PIZZA

La fonction "PIZZA" vous permet de cuire de 1 à 3 pointes de pizza.

Par exemple: Réchauffer 1 point pizza.

PIZZA

1. Appuyez sur **PIZZA** clavier.
2. Appuyez sur le numéro **1** clavier. Lorsque la durée de cuisson sera terminée, vous entendrez quatre bips et les lettres "END" (FIN) apparaîtront à l'affichage.

1

## BREUVAGES "BEVERAGE"

La fonction "BEVERAGE" vous permet de réchauffer jusqu'à 2 breuvages.

### REMARQUES:

- Le temps de réchauffage est basé sur une tasse de 8 onces.
- Le contenant peut être bouillant: retirez du four avec le plus grand soin.

Par exemple: Réchauffer un breuvage de 8 oz

BEVERAGE

1. Appuyez sur **BEVERAGE** clavier.
2. Appuyez sur le numéro **1** clavier. Lorsque la durée de cuisson sera terminée, vous entendrez quatre bips et les lettres "END" (FIN) apparaîtront à l'affichage.

1

## CUISSON AUTOMATIQUE "AUTO COOK"

La cuisson automatique vous procure quatre catégories de pré-réglages de cuisson.

Par exemple: Cuire 2 tranches de riz

AUTO COOK

1. Appuyez sur **AUTO COOK** clavier.

3

2. Appuyez sur le numéro **3** clavier.

Catégorie	Touche du clavier numérique
Légumes frais	1
Légumes congelés	2
Riz	3
Plats cuisinés	4

2

3. Entrez la quantité/portions

Catégorie	Touche du clavier numérique
Légumes frais	1 - 4 tasses
Légumes congelés	1 - 4 tasses
Riz	1 - 2 tasses
Plats cuisinés	1 - 4 tasses

Lorsque la durée de cuisson sera terminée, vous entendrez quatre bips et les lettres "END" (FIN) apparaîtront à l'affichage.

# Fonctionnement

## GUIDE DE CUISSON AUTOMATIQUE

CODE	CATÉGORIE	QUANTITÉ	DIRECTIVES
1	LÉGUMES FRAIS	1 tasse de légumes et 2 cuillers à table d'eau	Placez dans un bol à l'épreuve des micro-ondes. Ajoutez la quantité d'eau selon les directives ci-contre. Recouvrez de pellicule plastique (percée). Laissez reposer 5 minutes.
		2 tasses de légumes et 1/4 tasse d'eau	
		3 tasses de légumes et 1/3 tasse d'eau	
		4 tasses de légumes et 1/2 tasse d'eau	
2	LÉGUMES CONGELÉS	1 tasse	Placez dans un bol à l'épreuve des micro-ondes. Recouvrez de pellicule plastique (percée). Laissez reposer 5 minutes.
		2 tasses	
		3 tasses	
		4 tasses	
3	RIZ	1 tasse de riz à grain long et 2-1/4 tasses d'eau	Dans un grand plat à l'épreuve des micro-ondes, mélangez l'eau, le riz, la margarine et le sel. Recouvrez d'un couvercle à l'épreuve des micro-ondes ou de pellicule plastique (percée). Après la cuisson, laissez reposer 5 minutes.
		2 tasses de riz à grain long et 4-1/4 tasses d'eau	
4	PLATS CUISINÉS	1 tasse	Placez dans un bol à l'épreuve des micro-ondes. Recouvrez de pellicule plastique (percée).
		2 tasses	
		3 tasses	
		4 tasses	

# Fonctionnement

## RÉCHAUFFAGE AUTOMATIQUE

La fonction de RÉCHAUFFAGE AUTOMATIQUE vous offre quatre catégories de pré-réglages.

Par exemple: Réchauffer 2 portions de assiette d'aliments.

**AUTO REHEAT**

**1**

1. Appuyez sur **AUTO REHEAT** clavier.

2. Choisissez la catégorie d'aliments désirée.

Catégorie	Touche du clavier numérique
Assiette d'aliments	1
Soupe/sauce	2
Plat cuisiné	3
Petit pain/muffin	4

**2**

3. Entrez les quantités/portions.

Catégorie	Touche du clavier numérique
Assiette d'aliments	1-2 portions
Soupe/sauce	1-4 tasses
Plat cuisiné	1-4 tasses
Petit pain/muffin	1-4 pointes

Lorsque la durée de cuisson sera terminée, vous entendrez quatre bips et les lettres "END" (FIN) apparaîtront à l'affichage.

## GUIDE DE RÉCHAUFFAGE AUTOMATIQUE

CODE	CATÉGORIE	PORTION	DIRECTIVES
1	ASSIETTE D'ALIMENTS	1 portion	Placez dans une assietteplate.
		2 portions	Recouvrez d'une pellicule plastique.
2	SOUPE/ SAUCE	1 tasse	Placez dans un plat creux à l'épreuve des micro-ondes.
		2 tasses	
		3 tasses	
		4 tasses	
3	PLAT CUISINÉ	1 tasse	Placez dans un bol ou plat à l'épreuve des micro-ondes. Recouvrez d'une pellicule plastique.
		2 tasses	
		3 tasses	
		4 tasses	
4	PETIT PAIN/ MUFFIN	1 point	Placez sur un essuie-tout. Ne recouvrez pas.
		2 pointes	
		3 pointes	
		4 pointes	

# Fonctionnement

## DÉCONGÉLATION AUTOMATIQUE

Votre four à micro-ondes possède trois séquences préréglées de décongélation. La décongélation automatique est la meilleure manière de décongeler les aliments congelés. Le "TABLEAU DE DÉCONGÉLATION AUTOMATIQUE" (ci-dessous) vous procure des instructions spéciales pour les trois séquences de décongélation.

Par exemple: Décongeler 1,2 lbs de boeuf haché

AUTO DEFROST

1. Appuyez sur **AUTO DEFROST** clavier.

1

2. Choisissez la catégorie d'aliments désirée.

Catégorie	Touche du clavier numérique
Vlandes	1
Volailles	2
Poissons	3

1

2

3. Entrez le poids.

START

4. Appuyez sur **START** clavier.

### REMARQUES:

Lorsque vous appuyez sur la touche START, l'affichage change au compte à rebours de la décongélation. Le four sonnera pendant le cycle de décongélation. À bip, ouvrez la porte du four et retournez, séparez ou réorganisez la nourriture. Enlevez toute portion qui a dégelé. Retournez les portions congelées dans le four et appuyez sur START afin de terminer le cycle de décongélation.

START

5. Refermez la porte et repartez le four.

Lorsque la décongélation sera terminée, vous entendrez quatre bips et les lettres "END" (FIN) seront affichées.

**REMARQUE:** Si vous n'ouvrez pas la porte dans , l'affichage continuera son compte à rebours.

## Tableau de conversion du poids

Pour entrer le poids des aliments dans la DÉCONGÉLATION AUTOMATIQUE, vous devez spécifier les livres et les dixièmes de livres. Si le poids sur l'emballage est en fractions de livres, utilisez le tableau suivant pour convertir le poids en décimales.

POIDS ÉQUIVALENT EN ONCES	CHIFFRE APRÈS LA DÉCIMALE
1.6	.10
3.2	.20
4.0	.25
4.8	.30
6.4	.40
8.0	.50
9.6	.60
11.2	.70
12.0	.75
12.8	.80
14.4	.90
16.0	1.00

Un quart de livre

Une demi-livre

Trois quarts de livre

une livre

## QUELQUES TRUCS SUR LA DÉCONGÉLATION

- Lorsque vous utilisez la décongélation automatique, le poids que vous devez entrer est le poids net en livres et en dixièmes de livres (le poids de la nourriture moins le contenant).
- N'utilisez la DÉCONGÉLATION AUTOMATIQUE que pour les aliments crus. Cette fonction donne les meilleurs résultats lorsque l'aliment à décongeler est au moins à 0°F (pris directement d'un "vrai" congélateur). Si l'aliment a été entreposé dans le congélateur d'un réfrigérateur qui ne maintient pas une température de 5°F ou moins, programmez toujours un poids plus petit (permettant une durée de décongélation moins longue de l'aliment) afin de ne pas cuire la nourriture.
- Si la nourriture est gardée hors du congélateur pendant plus de 20 minutes, réduisez le poids de l'aliment en programmant le four.
- La forme de l'emballage peut affecter la durée de la décongélation. Les emballages rectangulaires peu profonds se décongèlent plus rapidement que les blocs épais.
- Séparez les morceaux au fur et à mesure qu'ils décongèlent. Les morceaux que l'on sépare décongèlent plus rapidement.
- Vous pouvez vous servir de petits morceaux de papier d'aluminium pour recouvrir les aliments tels que les ailes de poulet, les bouts des cuisses et les queues de poisson mais assurez-vous que le papier ne touche pas le rebord du four. Le papier d'aluminium peut endommager la paroi interne du four.
- Protégez les endroits qui commencent à chauffer avec de petits morceaux de papier d'aluminium.
- Un temps de repos préréglé fait partie du programme de décongélation. Utilisez-le pour de meilleurs résultats.



# Fonctionnement

## TABLEAU DE DÉCONGÉLATION AUTOMATIQUE

### Réglages des viandes

ALIMENT	RÉGLAGE	AU SON DU BIP	INSTRUCTIONS PARTICULIÈRES
<b>BOEUF</b>			
Boeuf haché (en vrac)	MEAT	Détachez les parties décongelées à l'aide d'une fourchette. Retournez. Remettez le reste de la viande au four.	Recouvrez de papier d'aluminium les grandes pièces de viande dont la coupe est irrégulière, là où elles sont étroites ou grasses, surtout au début de la séquence de décongélation. Ne décongelez pas de quantité inférieure à 1/4 lb. Congelez la viande en forme de beigne.
Boeuf haché (boulettes)	MEAT	Détachez et façonnez la viande pour en faire des boulettes.	Ne décongelez pas moins de deux boulettes de 2 oz. Écrasez le centre lorsque vous congelez.
Steak de ronde	MEAT	Retournez. Recouvrez les endroits chauds de papier d'aluminium.	Placez sur une grille de rôtissage à l'épreuve des micro-ondes.
Steak de filet	MEAT	Retournez. Recouvrez les endroits chauds de papier d'aluminium.	Placez sur une grille de rôtissage à l'épreuve des micro-ondes.
Boeuf à ragoût	MEAT	Détachez les portions décongelées à l'aide d'une fourchette. Séparez ce qui reste et remettez-le au four.	Placez sur une grille de rôtissage à l'épreuve des micro-ondes.
Rôti braisé, rôti de palette	MEAT	Retournez. Recouvrez les endroits chauds de papier d'aluminium.	Placez sur une grille de rôtissage à l'épreuve des micro-ondes.
Rôti de côtes croisées	MEAT	Retournez. Recouvrez les endroits chauds de papier d'aluminium.	Placez sur une grille de rôtissage à l'épreuve des micro-ondes.
Rôti de croupe ficelé	MEAT	Retournez. Recouvrez les endroits chauds de papier d'aluminium.	Placez sur une grille de rôtissage à l'épreuve des micro-ondes.
<b>AGNEAU</b>			
Cubes pour ragoût	MEAT	Détachez les portions décongelées à l'aide d'une fourchette. Remettez ce qui reste au four.	Placez dans une assiette à l'épreuve des micro-ondes.
Côtelettes (épaisseur de 1 po.)	MEAT	Détachez et réorganisez.	Placez sur une grille de rôtissage à l'épreuve des micro-ondes.
<b>PORC</b>			
Côtelettes (épaisseur de 1/2 po.)	MEAT	Détachez et réorganisez.	Placez sur une grille de rôtissage à l'épreuve des micro-ondes.
Hot-dogs,	MEAT	Détachez et réorganisez.	Placez sur une grille de rôtissage à l'épreuve des micro-ondes.
Côtes Levées, Côtes à l'ancienne.	MEAT	Retournez. Recouvrez les endroits chauds de papier d'aluminium.	Placez sur une grille de rôtissage à l'épreuve des micro-ondes.
Chapelets de Saucisses	MEAT	Détachez et réorganisez.	Placez sur une grille de rôtissage à l'épreuve des micro-ondes.
Saucisses en vrac	MEAT	Détachez et réorganisez. décongelées à l'aide d'une fourchette. Remettez ce qui en reste au four.	Placez dans un plat de cuisson à l'épreuve des micro-ondes.
Rôti d'ail, désossé	MEAT	Retournez Recouvrez les endroits chauds d'aluminium.	Placez sur une grille de rôtissage à l'épreuve des micro-ondes.

# Fonctionnement

## TABLEAU DE DÉCONGÉLATION AUTOMATIQUE (SUITE)

### Réglage des volailles

ALIMENT	RÉGLAGE	AU SON DU BIP	INSTRUCTIONS PARTICULIÈRES
<b>POULET</b> Entier	POULTRY	Retournez. Complétez la décongélation en plaçant la poitrine à l'envers, vers le bas. Recouvrez les endroits chauds d'aluminium.	Déposez le poulet sur une grille de rôtissage à l'épreuve des micro-ondes en plaçant la poitrine vers le haut. Terminez la décongélation en l'immergeant dans l'eau.
En morceaux		Retournez. Recouvrez les endroits chauds d'aluminium. Détachez les morceaux et réorganisez.	Placez sur une grille de rôtissage à l'épreuve des micro-ondes. Terminez la décongélation en plaçant les morceaux dans l'eau froide.
<b>POULETS DE CORNOUAILLES</b> Entiers	POULTRY	Retournez. Recouvrez les endroits chauds d'aluminium.	Placez sur une grille de rôtissage à l'épreuve des micro-ondes. Terminez la décongélation en plaçant les morceaux dans l'eau froide.
<b>DINDE</b> Poitrine (inférieure à 6 lbs/2,7 kg)	POULTRY	Retournez. Recouvrez les endroits chauds d'aluminium.	Placez sur une grille de rôtissage à l'épreuve des micro-ondes. Terminez la décongélation en plaçant les morceaux dans l'eau froide.

### Réglage des poissons

ALIMENT	RÉGLAGE	AU SON DU BIP	INSTRUCTIONS PARTICULIÈRES
<b>POISSON</b> Filets	FISH	Retournez. Détachez les filets lorsqu'ils sont partiellement décongelés, si possible.	Déposez dans une assiette à l'épreuve des micro-ondes. Séparez les filets avec soin dans de l'eau froide.
Darnes	FISH	Détachez et réorganisez.	Déposez dans une assiette à l'épreuve des micro-ondes. Passez sous l'eau froide afin de compléter la décongélation.
Entier	FISH	Retournez.	Déposez dans une assiette à l'épreuve des micro-ondes. Recouvrez la tête et la queue avec de l'aluminium; le papier d'aluminium ne doit pas toucher les parois de la cavité interne du four. Complétez la décongélation en l'immergeant dans l'eau froide.
<b>FRUITS DE MER</b> Chair de crabe	FISH	Brisez en morceaux. Retournez.	Déposez dans une assiette à l'épreuve des micro-ondes.
Queues de homard	FISH	Retournez et réorganisez.	Déposez dans une assiette à l'épreuve des micro-ondes.
Crevettes	FISH	Détachez et réorganisez.	Déposez dans une assiette à l'épreuve des micro-ondes.
Pétoncles	FISH	Détachez et réorganisez.	Déposez dans une assiette à l'épreuve des micro-ondes.

**REMARQUE** ; Les aliments à décongeler ne doivent pas excéder 6,0lb(4,0kg).

# Fonctionnement

## DÉCONGÉLATION TEMPS

La fonction de décongélation temps vous permet temps en cuisson.

Par exemple: Décongélation en 2 minutes

TIME  
DEFROST

1. Appuyez sur **TIME DEFROST** clavier.

2 0 0

2. Entrez la durée de la décongélation.

START

3. Appuyez sur **START** clavier.  
Lorsque la décongélation sera terminée, vous entendrez quatre bips et les "END"(FIN) seront affichées.

## GRILLE DE MÉTAL À DEUX POSITIONS

La grille de métal à deux positions vous donne plus d'espace lorsque vous devez cuire dans plus d'un contenant à la fois. La grille de métal peut être tournée à l'envers pour vous aider à mettre des contenants plus grands dans le fond du four.

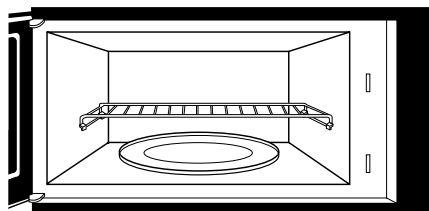
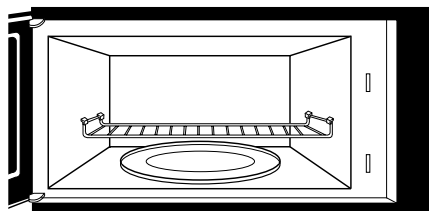


### MISE EN GARDE

**Ne pas utiliser l'étagère au four pendant le chauffage d'une portion d'aliment.  
L'Étagère peut causer l'arc électrique et endommager le four.**

#### REMARQUE:

- Vous devez déposer la grille sur ses 4 supports lorsque vous l'utilisez.
- Insérez solidement la grille dans les quatre supports des murs latéraux du four.
- Tournez la grille à l'envers afin de pouvoir insérer des plats plus grands.



# Cuisson

## POUR OBTENIR LES MEILLEURS RÉSULTATS DE CUISSON

Pour obtenir les meilleurs résultats de cuisson avec le four à micro-ondes, lire et observer les directives ci-dessous.

- **Température de conservation** : Il faut plus de temps pour cuire un aliment qui sort du réfrigérateur ou du congélateur qu'un aliment qui se trouve à la température ambiante. Les temps de cuisson indiqués dans cette brochure correspondent à des aliments qui se trouvent à leur température normale de conservation.
- **Taille** : Des morceaux d'aliments de petite taille cuisent plus rapidement que des morceaux de grande taille; avec des morceaux de taille et de forme similaires, on obtient une cuisson plus uniforme. Pour cuire uniformément des aliments de grande taille, réduire la puissance de chauffe.
- **Humidité naturelle** : On obtient une cuisson plus uniforme avec des aliments qui contiennent beaucoup d'eau, parce que les molécules d'eau absorbent efficacement l'énergie des micro-ondes.
- **Remuer** certains mets, comme les mets en sauce et les légumes, depuis l'extérieur vers le centre, pour répartir uniformément la chaleur et accélérer la cuisson. Il n'est pas nécessaire de remuer constamment.
- **Retourner** les aliments comme côtes de porc, pommes de terre, rôtis et choux-fleurs, vers le milieu de la cuisson, pour que tous les côtés soient uniformément exposés à l'énergie des micro-ondes.
- **Placer** les parties délicates des aliments, comme la pointe des asperges, vers le centre du plat.
- **Répartir** les aliments de forme non uniforme, comme des morceaux de poulet ou les darnes de saumon, en plaçant la partie la plus épaisse ou la plus charnue vers l'extérieur du plat.
- **Protéger** avec de **petits** morceaux de feuille d'aluminium les parties d'un aliment qui pourraient cuire trop rapidement, comme les extrémités des ailes et des pilons des volailles.
- **Prévoir une période d'attente** : Après avoir retiré un mets du four à micro-ondes, recouvrir le plat avec une feuille d'aluminium ou le couvercle du plat, et laisser le mets en attente pendant quelque temps avant de le servir, pour que la cuisson se poursuive jusqu'au centre, sans qu'il y ait une cuisson excessive des parties périphériques. La durée de la période d'attente dépend de la densité et de l'étendue de la surface des aliments.
- **Enveloppe de papier paraffiné ou serviette de papier** : Pour éviter un assèchement, avant de les réchauffer au micro-ondes, envelopper les sandwiches et autres aliments contenant du pain précuit.

## POISSON ET MOLLUSQUES

### Cuisson des poissons, mollusques et crustacés : Directives générales

- Préparation du poisson pour la cuisson.
  - Décongeler complètement le poisson, les mollusques ou les crustacés.
  - Répartir les morceaux de forme non uniforme en plaçant la partie la plus épaisse vers l'extérieur du plat. Répartir les mollusques en une seule couche pour obtenir une cuisson uniforme.
  - Le type de couvercle à utiliser dépend du mode de cuisson. Pour un poisson poché, utiliser un récipient avec un couvercle pour cuisson micro-ondes ou une enveloppe de plastique comportant des **évents**.
  - Pour la cuisson d'un poisson au four, avec glaçage, ou en sauce, recouvrir d'une feuille de papier paraffiné pour éviter une dilution de la sauce ou du glaçage.
- Sélectionner toujours le temps de cuisson le plus court possible. Le poisson est cuit lorsque sa chair devient opaque tandis que les parties les plus épaisses commencent à se détacher. Les crustacés sont cuits lorsque la couleur de leur carapace passe de rose à rouge tandis que la chair est opaque et ferme.
- Le tableau de cuisson ci-dessous présente des directives détaillées, le niveau de puissance et le temps de cuisson à utiliser pour la cuisson de la plupart des poissons, mollusques et crustacés.

### Cuisson des poissons, crustacés et mollusques

POISSON	PUISSANCE DE CHAUFFAGE	TEMPS DE CUISSON	DIRECTIVES
Filets de poisson	HI	3 1/2-4 1/2 minutes	Répartir le poisson en une seule couche; placer la partie la plus épaisse vers l'extérieur du plat (plat de 1-1/2 pinte) pour cuisson aux micro-ondes. Le cas échéant, badigeonner avec beurre fondu et assaisonnements. Faire cuire sous une feuille de plastique comportant des événements. Laisser reposer sans recouvrir pendant 2 minutes. Pour cuire plus d'une livre de poisson, retourner le poisson vers le milieu de la période de cuisson.
Steaks de poisson	HI	4 1/2-5 1/2 minutes	
Poisson entier	7	4 1/2-6 minutes	
Pétoncles	HI	3 1/2-5 minutes	Répartir en une seule couche. Préparer conformément aux instructions ci-dessus, mais remuer au lieu de retourner.
Crevettes, nettoyées	HI	3 1/2-5 minutes	

# Cuisson

---

## AMUSE-GUEULE / SAUCES / SOUPES

### Cuisson des amuse-gueule : Conseils et techniques

#### Recommandations

- Les produits croustillants, comme toasts melba, blé en filaments et biscuits de seigle croustillants sont les meilleurs pour la cuisson aux micro-ondes. Attendre le début de la réception pour ajouter les garnitures. Placer une serviette de papier sous les biscuits pendant la cuisson aux micro-ondes, pour l'absorption de l'excès d'humidité.
- Répartir les amuse-gueule sur un cercle pour obtenir une cuisson uniforme.
- Remuer les garnitures pour uniformiser la température et réduire la durée de la cuisson.

### Cuisson des sauces : Conseils et techniques

- Utiliser un récipient pour four à micro-ondes ou une tasse à mesurer de verre dont le volume est 2 à 3 fois celui de la sauce.
- Une sauce à base de fécule de maïs épaissit plus rapidement qu'une sauce à base de farine.

### Cuisson des soupes : Conseils et techniques

- Pour éviter un débordement, cuire une soupe dans un plat pour cuisson aux micro-ondes dont le volume est le double de celui des ingrédients de la recette, particulièrement si la liste des ingrédients contient de la crème ou du lait.
- D'une manière générale, recouvrir une soupe d'une feuille de plastique comportant des ÉVENTS, ou d'un couvercle pour cuisson aux micro-ondes.
- Recouvrir le plat pour retenir l'humidité. Ne pas couvrir lorsqu'il faut que les ingrédients restent croustillants.
- Pour éviter une cuisson excessive, sélectionner le temps de cuisson minimum suggéré. Si nécessaire, poursuivre la cuisson après avoir déterminé le degré d'avancement.

### Autres recommandations

- Pour les amuse-gueule comportant un glaçage croustillant ou une pâtisserie gonflante, on obtient un meilleur résultat par cuisson sèche dans un four conventionnel.
- Il est possible de réchauffer un produit pané au four à micro-ondes, mais la panure ne sera pas croustillante.
- Cuire une sauce à base de fécule de maïs ou de farine dans un plat non couvert, pour pouvoir la remuer 2 ou 3 fois au cours de la cuisson et pour éviter la formation de grumeaux.
- Pour adapter une recette conventionnelle de sauce, réduire légèrement la quantité de liquide.
- Remuer occasionnellement pour favoriser le mixage des saveurs et uniformiser la température; ceci peut même réduire le temps de cuisson nécessaire.
- Lors de la conversion d'une recette conventionnelle de soupe pour la cuisson aux micro-ondes, réduire les quantités de liquide, de sel et d'assaisonnements forts.

## VIANDES

### Cuisson des viandes : Directives générales

- Préparation des viandes avant la cuisson :
  - Décongeler complètement.
  - Enlever l'excès de graisse pour minimiser les projections.
  - Placer la pièce de viande sur une grille pour cuisson aux micro-ondes, dans un plat pour micro-ondes, côté gras vers le bas.
  - Pour une pièce de viande relativement dure, utiliser un sac de cuisson.
  - Répartir les pièces de viande de telle manière que les parties les plus épaisses soient orientées vers l'extérieur du plat.
  - Recouvrir la viande d'une feuille de papier paraffiné qui retiendra les projections.
- Surveiller la cuisson.
  - Retirer le jus qui s'accumule pour réduire les projections et éviter une cuisson excessive de la surface inférieure des pièces de viande.
  - Protéger les parties minces ou osseuses avec des morceaux de feuille d'aluminium pour éviter une cuisson excessive.

**NOTE :** Placer les morceaux de feuille d'aluminium à **au moins 1 pouce** des parois du four et ne jamais recouvrir de feuille d'aluminium plus d'un tiers de la viande.

- Laisser la viande reposer pendant 10 à 15 minutes après l'avoir retirée du four recouverte d'une feuille d'aluminium. Pendant cette période d'attente, la température interne pourra augmenter de 5 à 10°F.

Le tableau de cuisson de la page suivante présente des directives détaillées, le niveau de puissance et le temps de cuisson à utiliser pour la cuisson de la plupart des viandes.

# Cuisson

## Cuisson des viandes

METS	NIVEAU DE PUISSANCE	TEMPS DE CUISSON	DIRECTIVES
Boeuf Hamburgers (de 4 oz) Frais ou décongelés 1 hamburger 2 hamburgers 4 hamburgers	HI	1-1 1/2 minutes 1 1/2 à 2 minutes 2 1/2 à 3 1/2 minutes	Former une dépression au centre chaque hamburger. Placer les hamburgers sur la grille de rôtissage du four à micro-ondes. Le cas échéant, badigeonner de sauce de brunissage. Recouvrir de papier paraffiné. Retourner vers le milieu de la période de cuisson. Période d'attente de 1 minute après la cuisson, sans découvrir.
Rôti de pointe de surlonge (3 à 4 lb)	5	8 à 10 minutes par livre SAIGNANT(135°F) 11 à 13 minutes par livre MOYENNE(155°F)	Placer le rôti sur la grille de rôtissage du four à micro-ondes. Ajouter l'assaisonnement approprié et recouvrir de papier paraffiné. Retourner la pièce de viande vers le milieu de la période de cuisson; recouvrir/protéger selon le besoin. Retirer le rôti du four lorsque la température désirée est atteinte. Période d'attente de 15 minutes sous feuille d'aluminium.(La température peut augmenter de 10°F.)
Agneau Rôti d'agneau, désossé, roulé (3 à 4 lb)	5	11 à 12 minutes par livre SAIGNANT(135°F) 12 à 13 minutes par livre MOYENNE(155°F) 13 à 14 minutes par livre BIEN CUIT(145°F)	Placer le rôti sur la grille de rôtissage de four à micro-ondes. Badigeonner la pièce d'agneau de marinade ou assaisonner avec romarin, thym et marjolaine. Recouvrir de papier paraffiné. Retourner le rôti après 15 minutes et de nouveau après 30 minutes. Recouvrir/protéger selon le besoin. Retirer le rôti du four lorsque la température désirée est atteinte. Période d'attente de 15 minutes sous feuille d'aluminium.(La température peut augmenter de 10°F.)
Porc Tranches de bacon 2 tranches 4 tranches 6 tranches	HI	1 1/2 à 2 minutes 2 1/2 à 3 minutes 3 1/2 à 4 1/2 minutes	Placer les tranches de bacon sur la grille de rôtissage du four à micro-ondes. Recouvrir de serviettes de papier. Période d'attention de 1 minute après la cuisson.
Côtelettes (5 à 7 oz chacune) 2 côtelettes  4 côteletts	3	18 à 20 minutes par livre 15 à 17 minutes par livre	Placer les côtelettes dans le plat de cuisson du four à micro-ondes. Ajouter l'assaisonnement désiré et recouvrir d'une feuille de plastique comportant des événements. Poursuivre la cuisson jusqu'à ce que la teinte de la viande ne soit plus rose ou que la température interne ait atteint 170°F. Retourner les côtelettes au milieu de la période de cuisson. Période d'attente de 5 minutes après la cuisson, sans découvrir.(La température peut augmenter de 10°F.)
Rôti de longe, désossé, roulé (3 1/2 à 4 1/2 lb)	3	25 à 27 minutes par livre (165°F)	Placer le rôti dans un sac de cuisson, dans le plat du four à micro-ondes. Le cas échéant, ajouter l'assaisonnement et un produit de brunissage. Fermer partiellement le sac avec un cordon ou dispositif compatible avec les micro-ondes. Prévoir une période d'attente de 15 minutes dans le sac après la cuisson. (La température peut augmenter de 10°F.) La température interne du porc devrait atteindre 170°F avant le service.)
Petites saucisses, fraîches ou décongelées (1 à 2 oz) 2 saucisses 4 saucisses 6 saucisses 10 saucisses (paquet de 8 oz)	HI	45 à 60 seconds 1 à 1 1/2 minutes 1 1/2 à 2 minutes 1 3/4 à 2 minutes	Percer les saucisses avant de les placer sur la grille de rôtissage du four à micro-ondes. Recouvrir avec du papier paraffiné ou des serviettes de papier. Retourner vers le milieu de la période de cuisson. Période d'attente de 1 minute après la cuisson, sans découvrir.

# Cuisson

## VOLAILLE

### Cuisson des volailles : Directives générales

- Préparation d'une volaille pour la cuisson.
  - Décongeler complètement.
  - Répartir les morceaux en plaçant les parties épaisses vers l'extérieur du plat de cuisson. Pour la cuisson de pilons, répartir ceux-ci comme les rayons d'une roue.
  - Recouvrir le plat de papier paraffiné qui retiendra les projections.
  - Utiliser un agent de brunissage ou cuire avec une sauce pour que la surface brunisse.
- Lavage la cuisson de la volaille.
  - Enlever le jus qui s'accumule et protéger les parties minces ou osseuses avec de petits morceaux de feuille d'aluminium pour éviter une cuisson excessive.
- Veiller à ne pas placer les morceaux de feuille d'aluminium à moins de 1 pouce des parois du four ou d'un autre morceau d'aluminium.
- La viande est cuite lorsque sa teinte rose a disparu et lorsque le jus qui s'écoule est limpide. À la fin de la cuisson la température dans la viande d'un pilon devrait être de 180 à 185°F.
- Prévoir une période d'attente de 10 minutes après la cuisson (recouvrir d'une feuille d'aluminium).

Le tableau de cuisson ci-dessous présente des directives détaillées, le niveau de puissance et le temps de cuisson à utiliser pour la plupart des morceaux et types de volaille.

### Cuisson des volailles

VOLAILLE	NIVEAU DE PUISSANCE	PÉRIODE DE CUISSON	DIRECTIVES
Morceaux de poulet (2 1/2 à 3 lb)	HI	4 1/2 à 5 1/2 minutes par livre	Laver les morceaux; bien essorer en secouant et préparer la cuisson. Placer les morceaux en une seule couche dans un plat de cuisson pour micro-ondes; placer les parties les plus épaisses vers l'extérieur. Le cas échéant, badigeonner avec du beurre ou un agent de brunissage, et assaisonner. Recouvrir de papier paraffiné. Poursuivre la cuisson jusqu'à ce que la teinte de la chair ait disparu et que le jus qui s'écoule soit limpide. Ajouter une période d'attente de 5 minutes sans découvrir.
Poulet entier (3 à 3 1/2 lb)	HI	12 à 13 minutes par livre	Avant la cuisson, laver et secouer pour éliminer l'eau. Placer la poitrine vers le bas sur la grille de rôtissage du four à micro-ondes. Le cas échéant, badigeonner avec du beurre ou un agent de brunissage, et assaisonner. Recouvrir de papier paraffiné. Exécuter une période de cuisson initiale -1/3 du temps de cuisson estimé. Retourner la volaille (poitrine vers le haut); badigeonner avec du beurre ou un agent de brunissage. Remettre le papier paraffiné et exécuter une seconde période de cuisson partielle (1/3 du temps de cuisson estimé). Si nécessaire, recouvrir/protéger. Exécuter la période de cuisson finale 1/3 du temps de cuisson estimé, ou jusqu'à ce que la teinte rose ait disparu et que le jus qui s'écoule soit limpide. Ajouter une période d'attente de 10 minutes. (La température peut augmenter 10°F) Lorsque la cuisson est terminée. la température dans la viande d'un pilon devrait être de 180 à 185°F
Poulettes de Cornouailles entières (1 à 1 1/2 lb chacune)	HI	6 à 7 minutes par livre	Laver les morceaux; bien essorer en secouant et préparer la cuisson. Attacher les ailes avec le corps de l'oiseau, et les pattes avec la queue. Placer les poitrines des poulettes vers le bas sur la grille du four à micro-ondes. Recouvrir de papier paraffiné. Retourner les poulettes (poitrines vers le haut) vers le milieu de la période de cuisson. Protéger les extrémités des pilons avec de la feuille d'aluminium. Retirer le jus qui s'est écoulé. Le cas échéant, badigeonner avec du beurre ou un agent de brunissage, et assaisonner. Poursuivre la cuisson jusqu'à ce que la teinte rose de la chair ait disparu et que le jus qui s'écoule soit limpide. Retirer les poulettes du four à micro-ondes lorsque la température désirée est atteinte. Ajouter une période d'attente de 5 minutes sous une feuille d'aluminium. (La température peut augmenter de 10°F). La température dans la viande de la poitrine devrait être de 170°F avant le service.

# Cuisson

## PÂTES ET RIZ

Le temps de cuisson des pâtes, du riz et des céréales est à peu près le même au four à micro-ondes qu'avec les techniques conventionnelles, mais l'emploi du four à micro-ondes est plus pratique parce qu'on peut cuire et servir dans le même plat.

Dans le cas de la cuisson au four à micro-ondes il n'est pas nécessaire de remuer, et un reste de pâtes réchauffé aura le même goût de fraîcheur que le mets initial.

### Cuisson des pâtes et du riz : Conseils et techniques

- Lorsque la liste des ingrédients d'un plat en sauce inclut du riz ou des pâtes, ne pas les cuire complètement, pour que ces ingrédients restent fermes.
- Prévoir une période d'attente pour le riz, mais pas pour les pâtes.
- Le tableau de cuisson des pâtes et du riz ci-dessous présente des directives détaillées, le niveau de puissance et le temps de cuisson à utiliser pour la plupart des mets à base de pâtes et de riz.

### Cuisson des pâtes

TYPE DE PÂTES	NIVEAU DE PUISSANCE	TEMPS DE CUISSON	DIRECTIVES
Spaghettis 4 tasses d'eau 8 oz de spaghettis	HI 5	9 à 10 minutes 7 1/2 à 8 1/2 minutes	Le cas échéant, saler l'eau chaude du robinet. Utiliser un plat de 2 pintes pour cuisson aux micro-ondes; recouvrir d'une feuille de plastique comportant des événements pour les spaghettis et la lasagne. Recouvrir d'un couvercle pour micro-ondes ou d'une feuille de plastique comportant des événements pour les macaronis et les nouilles aux oeufs. Chauffer au niveau de puissance maximum HI selon les indications du tableau ou jusqu'à l'ébullition de l'eau. Verser les pâtes en remuant; poursuivre la cuisson au niveau de puissance 5 selon les indications du tableau ou jusqu'à ce que les pâtes soient tendres. Drainer l'excès de liquide.
Macaronis 3 tasses d'eau 2 tasses de macaronis	HI 5	6 à 7 minutes 5 1/2 à 6 1/2 minutes	
Lasagne 4 tasses d'eau et 8 oz de lasagne	HI 5	7 à 8 minutes 11 à 12 1/2 minutes	
Nouilles aux oeufs 6 tasses d'eau et 4 tasses de nouilles	HI 5	8 à 10 minutes 5 1/2 à 6 1/2 minutes	

### Cuisson du riz

TYPE DE RIZ	NIVEAU DE PUISSANCE	PÉRIODE DE CUISSON	DIRECTIVES
Riz à grains longs 2 1/4 tasses d'eau et 1 tasse de riz	HI 5	4 1/2 à 5 1/2 minutes 14 minutes	Le cas échéant, saler l'eau chaude du robinet. Utiliser un plat de 2 pintes pour cuisson aux micro-ondes. Recouvrir avec un couvercle pour micro-ondes. ou d'une feuille de plastique comportant des événements. Faire chauffer l'eau selon les indications du tableau au niveau de puissance maximum HI ou jusqu'à l'ébullition de l'eau. Introduire le riz en remuant, ainsi que tout assaisonnement. Poursuivre la cuisson conformément aux indications du tableau au niveau de puissance 5 ou jusqu'à ce que l'eau ait été absorbée et que le riz soit tendre. Ajouter une période d'attente de 5 à 10 minutes. Remuer avec une fourchette pour séparer les grains.
Riz brun 2 1/2 tasses d'eau et 1 tasse de riz	HI 5	4 1/2 à 5 1/2 minutes 28 minutes	
Mélange de riz à grains longs et riz sauvage 2 1/3 tasses d'eau et paquet de 6 oz	HI 5	4 à 5 minutes 24 minutes	
Cuisson rapide 1 tasse d'eau et 1 tasse de riz	HI	2 à 3 minutes	Faire chauffer l'eau jusqu'à l'ébullition. Verser le riz dans l'eau bouillante et laisser reposer sous couvercle pendant 5 à 10 minutes ou jusqu'à ce que le riz ait absorbé l'eau et que le riz soit tendre. Remuer avec une fourchette pour séparer les grains.



# Entretien

## ENTRETIEN ET NETTOYAGE

Maintenez la cavité interne et la surface extérieure propres afin de conserver au four à micro-ondes sa performance initiale et ce, en toute sécurité. Faites particulièrement attention de ne pas laisser la nourriture ni la graisse s'accumuler sur le hublot de la porte interne ni sur le cadre avant du four.

**Ne jamais utiliser de nettoyants ou de tampons abrasifs.**

Essayez l'intérieur et l'extérieur du four à micro-ondes, ainsi que le couvercle de la hotte, situé sous le four, à l'aide d'une solution de nettoyage tiède (et non chaude) et peu concentrée, ainsi qu'un chiffon doux. Ensuite, rincez et essuyez. Servez-vous d'un nettoyeur et d'un poli pour le chrome afin de nettoyer les surfaces de métal, chrome et aluminium. Essayez immédiatement les éclaboussures avec un essuie-tout, surtout après avoir cuit du poulet ou du bacon. Nettoyez votre four une fois par semaine ou plus si nécessaire.

## LA GRILLE DE MÉTAL

Utilisez une solution de nettoyage douce pour nettoyer la grille et frottez-la avec un tampon à récurer en nylon.

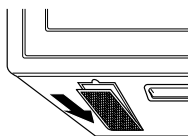
Asséchez-la complètement.

N'utilisez pas de tampons de récurage ni de solvants (de type aérosol) abrasifs.

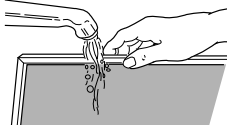
## NETTOYER LES FILTRES POUR LA GRAISSE

Retirez les filtres à mailles de fer pour la graisse situés sur le couvercle de la hotte, sous le four: lavez-les dans l'évier au moins une fois par mois.

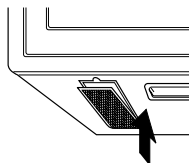
1. Pour enlever chacun des filtres, glissez-les en direction de chaque en arrière du four. Tirez vers le bas et poussez-les de l'autre côté. Les filtres vont tomber.



2. Laver dans le lave-vaisselle ou faire tremper les filtres à graisses dans de l'eau chaude additionnée d'un détergent doux. **Ne pas utiliser d'ammoniaque. L'aluminium ternira le filtre.**



3. Pour remettre les filtres en place, glissez-les dans l'ouverture du côté, poussez vers le haut en direction du pour les verrouiller en position.



## MISE EN GARDE

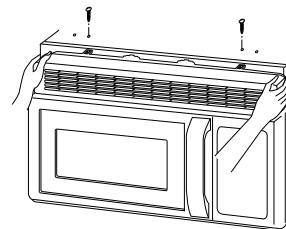
**Ne faites pas fonctionner** la hotte sans que les filtres ne soient en place.

## REPLACEMENT DU FILTRE À CHARBON

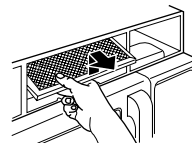
Si votre four est ventilé vers l'intérieur, vous devriez remplacer le filtre au charbon à tous les 6 à 12 mois, même plus souvent si nécessaire. Le filtre au charbon ne peut être nettoyé ou composé Amana 1-800-843-0304 (aux É.-U.), ou 1-319-622-5511 (hors des É.-U.).

Filtre à Charbon # : MVHRK2.

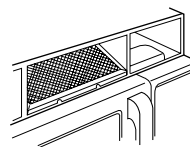
1. Débranchez la fiche de la prise de courant.
2. Retirez les deux vis de montage de la grille de ventilation (les deux vis du milieu).



3. Penchez la grille vers l'avant, puis retirez-la à l'extérieur.
4. Retirez le vieux filtre.



5. Mettez un nouveau filtre en place. Le filtre devrait être appuyé selon l'angle illustré ci-dessous.



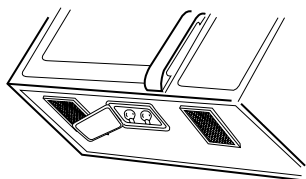
6. Glissez le fond du couvercle de ventilation en place. Poussez sur le dessus jusqu'à ce qu'il soit solidement en place. Vissez les vis de montage. Remettez la tension de la source d'alimentation principale en circuit.

# Entretien

---

## REPLACEMENT DE LA LUMIÈRE/VEILLEUSE DE LA HOTTE

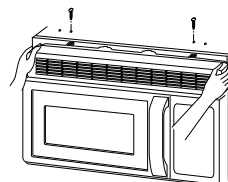
1. Débranchez l'alimentation à partir du panneau électrique ou débranchez le cordon d'alimentation.



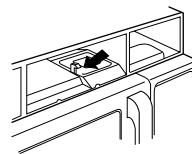
2. Retirez les vis du couvercle de la lumière de la hotte.
3. Dévissez l'ampoule (ou les ampoules) brûlée(s) et remplacez-la (les) avec une (des) ampoule(s) de 30 watts.
4. Remplacez le couvercle de la lumière de la hotte.
5. Remettez l'alimentation en circuit.

## REPLACEMENT DE L'AMPOULE DE LA CAVITÉ INTERNE DU FOUR

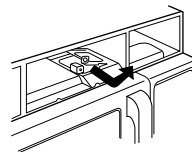
1. Débranchez l'alimentation à partir du panneau électrique ou débranchez le cordon d'alimentation.
2. Dévissez les vis de montage du couvercle de ventilation (les deux vis du milieu).
3. Penchez le couvercle vers l'avant, puis sortez-le en le soulevant.



4. Dévissez la vis de montage.



5. Soulevez le support de l'ampoule.



6. Remplacez avec une ampoule pour appareils électroménagers de 30 ou 40 watts.
7. Remplacez le support de l'ampoule et vissez la vis de montage.
8. Glissez le fond du couvercle de ventilation en place. Poussez-le par le dessus jusqu'à ce qu'il soit fixé en position. Vissez les vis de montage. Remettez l'alimentation en circuit à la source.

# Entretien

Vous pouvez utiliser d'avantage de plats dans votre four à micro-ondes que sur une cuisinière ou dans un four conventionnel car les micro-ondes les pénètrent en toute sécurité, tout en cuisant les aliments.

Voici une liste des plats dont vous pouvez vous servir sans danger et ceux que vous devez éviter. Afin de vérifier si un plat qui ne se trouve pas dans la liste ci-dessous peut être utilisé en toute sécurité, faites ce qui suit :

1. Déposez le plat vide dans le four à micro-ondes.
2. Mettez 1 tasse d'eau dans une tasse à mesurer en pyrex et placez-la à côté du plat, dans le four.
3. Mettez le four en marche à la puissance maximale (HI) pendant 1 minute.
4. Si, une fois la minute écoulée, vous touchez au plat et qu'il est tiède, cela signifie que vous ne devriez pas l'cuison au micro-ondes car il absorbe trop les micro-ondes.

## GUIDE DES PLATS À L'ÉPREUVE DES MICRO-ONDES

À UTILISER	À NE PAS UTILISER
<p><b>LE VERRE À L'ÉPREUVE DES MICRO-ONDES :</b> (traité pour des chaleurs intenses) : plats de service fonctionnels, assiettes à pain, assiettes à tarte et à gâteau, tasses à mesurer le liquide, cocottes et bols qui ne possèdent pas de rebords métalliques.</p> <p><b>LA PORCELAINE :</b> bols, tasses, assiettes de service et plats ne comportant pas de rebords métalliques.</p> <p><b>LE PLASTIQUE :</b> les pellicules de plastique (servant à recouvrir) - déposez la pellicule sur le plat sans serrer et faites-la adhérer au plat. Laissez la vapeur s'échapper en retournant légèrement un coin. Le plat devrait être suffisamment creux afin que la pellicule ne touche pas à la nourriture. En chauffant, il se peut que la pellicule fonde là où elle touche aux aliments. N'utilisez que des contenants semi-rigides pour le congélateur et des sacs de plastique <b>pour une période de cuisson brève. Utilisez ces plats parcimonieusement car la chaleur des aliments peut amollir le plastique.</b></p> <p><b>LE PAPIER :</b> les essuie-tout, le papier ciré, les serviettes et assiettes en papier ne comportant pas de rebord ni de dessin en métal. Recherchez l'étiquette du fabricant pour vous assurer qu'ils sont à l'épreuve des micro-ondes.</p>	<p><b>LES PLATS DE MÉTAL :</b> le métal isole la nourriture des micro-ondes, ce qui produit une cuisson inégale. Évitez d'utiliser des broches de métal, thermomètres ou plateaux d'aluminium. Les plats de métal peuvent provoquer un amorçage d'arc et endommager votre four à micro-ondes.</p> <p><b>LES DÉCORATIONS DE MÉTAL :</b> toutes les assiettes et plats de cuisson avec rebords de métal. La bordure métallique altère la cuisson et peut endommager le four.</p> <p><b>LE PAPIER D'ALUMINIUM :</b> évitiez d'utiliser de grandes feuilles d'aluminium car elles empêchent la cuisson et peuvent même causer un amorçage d'arc dangereux. Servez-vous de petits morceaux d'aluminium afin de protéger les cuisses et les ailes du poulet. Assurez-vous de tenir TOUT papier d'aluminium à une distance minimale d'un pouce des parois internes et de la porte du four.</p> <p><b>LE BOIS :</b> les bols et les planches de bois sécheront et peuvent craquer lorsqu'utilisés au four à micro-ondes. Les paniers réagissent de la même façon.</p> <p><b>LES PLATS REFERMÉS :</b> laissez toujours une ouverture afin de laisser la vapeur s'échapper. Percez les sacs de plastique des légumes avant de procéder à la cuisson. Les plats fermés peuvent exploser.</p> <p><b>LE PAPIER BRUN :</b> évitiez d'utiliser des sacs de papier brun car ils absorbent trop de chaleur et pourraient brûler.</p> <p><b>PLATS FÊLÉS OU ÉBRÉCHÉS :</b> les plats craqués, fêlés ou ébréchés peuvent briser à l'intérieur du four.</p> <p><b>ATTACHES AVEC FIL DE MÉTAL:</b> retirez ce type d'attaches des sacs en plastique ou en papier car ils deviennent très chauds et peuvent être la cause d'un incendie.</p>

# Avant De Placer Un Appel De Service

---

Consultez la liste suivante afin de vérifier si vous avez vraiment besoin de faire appel à un technicien. Avant de placer un appel de service, référez-vous à votre guide d'utilisation, en particulier aux sections concernant votre problème particulier.

**Aucune des fonctions du four à micro-ondes ne se mettent en marche:**

- Vérifiez s'il n'y a pas un fusible sauté ou un disjoncteur hors circuit.
- Vérifiez si le four est bien branché à la source d'électricité de la maison.
- Vérifiez si les commandes sont bien ajustées.

**Si l'ampoule interne ne s'allume pas:**

- L'ampoule n'est pas bien vissée ou elle est défectueuse.

**Si le four ne cuit pas:**

- Vérifiez si le panneau des commandes a été bien programmé.
- Vérifiez si la porte est bien fermée.
- Assurez-vous d'avoir appuyé sur la touche de départ "START".
- Assurez-vous de ne pas avoir parti la minuterie au lieu d'une fonction de cuisson.

**Si le four prend trop de temps (ou pas assez) à cuire:**

- Vérifiez si vous avez choisi la bonne intensité de puissance.

**Si l'horloge ne garde pas bien son heure:**

- Vérifiez si la fiche d'alimentation est bien enfoncée dans la prise de courant.
- Assurez-vous que le four est le seul appareil électrique sur le circuit.

**Si la cuisson des aliments est inégale:**

- Assurez-vous de disposer les aliments de façon uniforme.
- Les aliments étaient-ils complètement décongelés avant la cuisson?
- Vérifiez le placement des morceaux d'aluminium utilisés pour empêcher certaines parties de trop cuire.

**Si les aliments ne sont pas assez cuits:**

- Vérifiez la recette pour voir si vous avez bien suivi toutes les instructions (quantités, durées & niveaux de puissance).
- Assurez-vous que le four soit sur un circuit électrique indépendant.
- Les aliments étaient-ils complètement décongelés avant la cuisson?

**Les aliments sont trop cuits:**

- Vérifiez la recette pour voir si vous avez bien suivi toutes les instructions (quantités, durées, dimensions des plats & niveaux de puissance).

**S'il se produit un amorçage d'arc (étincelles):**

- Assurez-vous d'utiliser des plats de cuisson conçus pour la cuisson au micro-ondes.
- N'utilisez jamais d'attaches avec fil de métal.
- Ne faites jamais fonctionner le four quand il est vide.
- Si vous cuisez avec la grille de métal, assurez-vous de bien l'utiliser et qu'elle soit installée sur ses quatre supports.

**Si l'affichage indique que la minuterie effectue son compte à rebours mais le four ne cuit pas:**

- Assurez-vous que la porte soit bien fermée.
- Vérifiez si vous n'avez pas activé la minuterie à la place d'une fonction de cuisson.

**Le ventilateur se met en marche automatiquement.** Si la température devient trop chaude autour du four à micro-ondes, le ventilateur de la hotte se mettra automatiquement en marche, au réglage FAIBLE, afin d'aérer le four. Il peut fonctionner pendant une heure afin de refroidir le four.

## QUESTIONS ET RÉPONSES

**Q. Puis-je utiliser une grille pour réchauffer ou cuire sur deux niveaux à la fois dans mon four à micro-ondes?**

- R. N'utilisez que la grille fournie avec votre four à micro-ondes. L'utilisation de toute autre grille pourrait diminuer la performance de la cuisson et même produire un amorçage d'arc (étincelles), ce qui endommagerait votre four.

**Q. Puis-je utiliser des plats de métal ou d'aluminium dans mon four à micro-ondes?**

- A. Le seul métal que l'on puisse utiliser parcimonieusement dans le four est le papier d'aluminium; on s'en sert pour protéger (n'utilisez que des petits morceaux plats). Ne laissez jamais le métal toucher à la cavité interne ni à la porte du four.

**Q. Parfois la porte du four semble ondulée; est-ce normal?**

- A. Cette impression est normale et n'affecte en rien le fonctionnement du four.

**Q. Quels sont les bourdonnements que j'entends pendant que mon four fonctionne?**

- A. Vous entendez le bruit du transformateur lorsque le tube magnétron change de cycle.

**Q. Pourquoi mon assiette devient-elle chaude lorsque je fais cuire de la nourriture dedans? Je croyais que cela n'était pas censé se produire.**

- A. Tandis que la nourriture devient chaude, elle transmet sa chaleur à l'assiette. Utilisez simplement des mitaines à four pour retirer la nourriture après la cuisson. Il est possible que le plat n'aille pas aux micro-ondes.

**Q. Que signifie le "temps de repos"?**

- A. Le "temps de repos" signifie qu'après la cuisson, la nourriture doit être sortie et recouverte pendant un certain temps, ce qui permet de terminer la cuisson. Ceci économise l'électricité et libère le four pour une autre utilisation.

**Q. Est-ce que je peux faire éclater du maïs soufflé dans mon four à micro-ondes? Comment puis-je obtenir les meilleurs résultats?**

- A. Oui. Utilisez des emballages commerciaux de maïs à éclater et suivez les directives du fabricant ou servez-vous de la touche programmée "POPCORN". N'utilisez pas de sacs de papier ordinaires. Faites le "test de l'écoute" et arrêtez le four dès que l'éclatement des grains est à toutes les une ou deux secondes. N'essayez pas de faire éclater les grains qui n'ont pas éclaté la première fois. Vous pouvez également utiliser des contenants conçus spécialement pour faire éclater les grains de maïs. Si vous optez pour cette solution, assurez-vous de bien suivre les directives du fabricant du contenant. Ne faites pas éclater du maïs dans des plats en verre.

**Q. Pourquoi y a-t-il de la vapeur qui sort du conduit d'évacuation de l'air?**

- A. Il est normal que la cuisson produise de la vapeur. Votre four à micro-ondes a été conçu pour laisser s'échapper la vapeur par le conduit de ventilation supérieur.

# Installation

## VOTRE SÉCURITÉ AVANT TOUT

### AVANT DE DÉBUTER

- **Une installation adéquate est la responsabilité de l'installateur!**

- Veuillez lire tout le manuel avant de débiter. L'étiquette du numéro de modèle est située à l'avant du four à micro-ondes. La plaque de montage est située à l'arrière du four. Référez-vous au schéma 1.

### ASSUREZ-VOUS DE LIRE LES MESURES DE PRÉVENTION SUIVANTES :

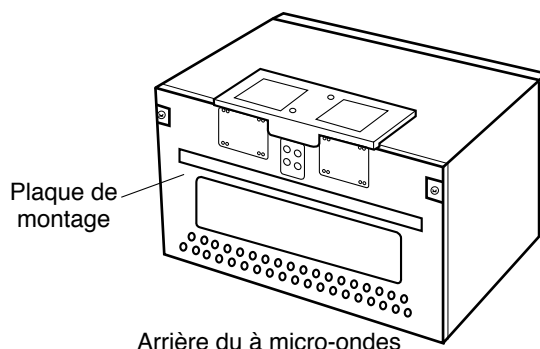


Schéma 1

## AVERTISSEMENT

### POUR VOTRE SÉCURITÉ:

- DEUX personnes devront être présentes pour installer ce four. Il est lourd et pourrait vous blesser si vous ne le manipulez pas adéquatement.
- **Évitez les chocs électriques!**
  - Avant de percer dans le mur, remarquez l'emplacement des prises de courant ainsi que l'endroit où passent les fils électriques. **VOUS POURRIEZ VOUS ÉLECTROCUTER** si vous touchez à des fils avec la mèche de votre perceuse.
  - Localisez et coupez le courant de tous les circuits électriques qui pourraient être touchés lors de l'installation du four. **VOUS POURRIEZ VOUS ÉLECTROCUTER SI VOUS NE COUPEZ PAS LE COURANT.**
  - Vous devez posséder une source d'alimentation avec fusibles (située dans l'armoire la plus proche que possible de la prise du four) de 120V, 60Hz, CA seulement, de 15 ou 20A et qui est dédiée exclusivement au four à micro-ondes.

# Installation

## VOTRE SÉCURITÉ AVANT TOUT

### AVERTISSEMENT

**Vous risquez de vous électrocuter si vous n'utilisez pas adéquatement la prise avec mise à la terre!**

- Consultez un électricien qualifié si vous doutez que votre four soit bien mis à la terre ou si vous ne comprenez pas complètement les instructions de mise à la terre.
- N'UTILISEZ PAS DE FUSIBLE DANS LE CIRCUIT NEUTRE OU DE MISE À LA TERRE.

### AVERTISSEMENT

**Une mauvaise mise à la terre pourrait occasionner un choc électrique ou d'autres blessures.**

CONSERVEZ CES INSTRUCTIONS EN CAS D'UNE VISITE PAR L'INSPECTEUR EN BÂTIMENTS DE VOTRE QUARTIER.

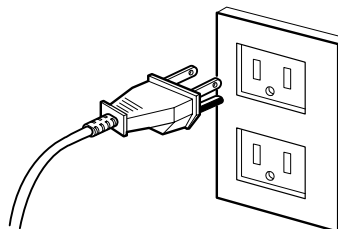
#### • VOUS DEVEZ EFFECTUER LA MISE À LA TERRE DE CET APPAREIL!

- S'il se produit un court-circuit, la mise à la terre réduit les risques de choc électrique en procurant une voie de sortie à l'alimentation électrique. Cet appareil possède un cordon d'alimentation muni d'un fil et d'une fiche avec mise à la terre.
  - Branchez la fiche dans une prise bien installée et mise à la terre. Référez-vous au schéma 2.
  - Ne vous servez pas de cordon d'extension.
  - Gardez le cordon au sec et sans le pincer ni l'écraser.

#### • NE COUPEZ JAMAIS LA BROCHE DE MISE À LA TERRE DE VOTRE CORDON D'ALIMENTATION!

Cet appareil **DOIT** être mis à la terre!

PRISE DE COURANT POLAISÉE ET ADÉQUATEMENT MISE À LA TERRE



Fiche à trois broches (avec prise de terre)  
**Schéma 2**

### AVERTISSEMENT

**Vous pourriez vous exposer à un surplus de micro-ondes si vous n'utilisez pas le four à micro-ondes tel qu'indiqué.**

#### • NE VOUS EXPOSEZ PAS À UN SURPLUS D'ÉNERGIE DU FOUR À MICRO-ONDES!

- NE TENTEZ PAS de faire fonctionner le four si la porte est ouverte.
- N'ESSAYEZ PAS d'altérer ni d'annuler les mécanismes d'enclenchement de sécurité.
- NE PLACEZ PAS d'objets entre la porte et la devanture du four.
- NE LAISSEZ PAS s'accumuler les résidus de saleté ou de détergents sur les surfaces plates autour de la porte du four.
- NE FAITES PAS FONCTIONNER le four s'il est endommagé.
- La porte du four doit pouvoir se refermer parfaitement afin que l'appareil fonctionne en toute sécurité.
- N'UTILISEZ PAS LE FOUR À MICRO-ONDES :
  - Si la porte est tordue.
  - Si les charnières ou loquets sont brisés ou lâches.
  - Si les joints d'étanchéité de la porte ou de la vitre sont brisés.
- N'ESSAYEZ PAS D'AJUSTER NI DE RÉPARER LE FOUR PAR VOUS-MÊME!  
Il ne doit être ajusté et réparé que par un technicien qui peut vérifier s'il n'y a pas de fuite de micro-ondes après avoir réparé le four.

# Installation

## VOTRE SÉCURITÉ AVANT TOUT

### AVERTISSEMENT

**Vous risqueriez de vous blesser et/ou d'endommager vos biens si vous n'installez pas le four selon les instructions.**

### MISE EN GARDE

Avant de débiter l'installation du four, **PLACEZ UN MORCEAU DE CARTON OU DE TISSUS ÉPAIS** (une couverture) sur le comptoir ou sur votre four conventionnel afin de le protéger. **N'utilisez pas de recouvrement de plastique.** Vous pourriez endommager vos biens si vous ne protégez pas adéquatement ces surfaces.

#### • ASSUREZ-VOUS D'AVOIR SUFFISAMMENT D'ESPACE ET DE SOUTIEN.

- Montez le four sur un mur vertical et plat afin qu'il puisse être soutenu par le mur. Le mur devrait être monté sur des madriers d'au moins 2 po. x 4 po. et fait de plâtre, lattes ou de feuilles de gypse d'une épaisseur minimale de 3/8 po.
- **VISSEZ AU MOINS UNE** des deux vis à tête ronde qui supportent le four à un madrier vertical de 2 po. x 4 po.
- **N'INSTALLEZ PAS** le four au-dessus d'un îlot central ni sous une armoire suspendue.
- **ASSUREZ-VOUS** que les structures de l'armoire et du mur arrière puissent soutenir un poids de 150 lbs en plus du poids des items que vous placez dans le four et ceux qui se trouvent déjà dans les armoires supérieures.
- Éloignez le four des endroits où les courants d'air sont trop forts tels que les fenêtres, portes et bouches de chauffage puissantes.
- **ASSUREZ-VOUS** de posséder suffisamment d'espace. Référez-vous au schéma 3 ci-dessous pour calculer l'espace de dégagement minimal sur le plan vertical et horizontal.
- Ce four à micro-ondes peut être installé au-dessus d'une cuisinière à gaz ou électrique d'une largeur n'excédant pas 36 po.

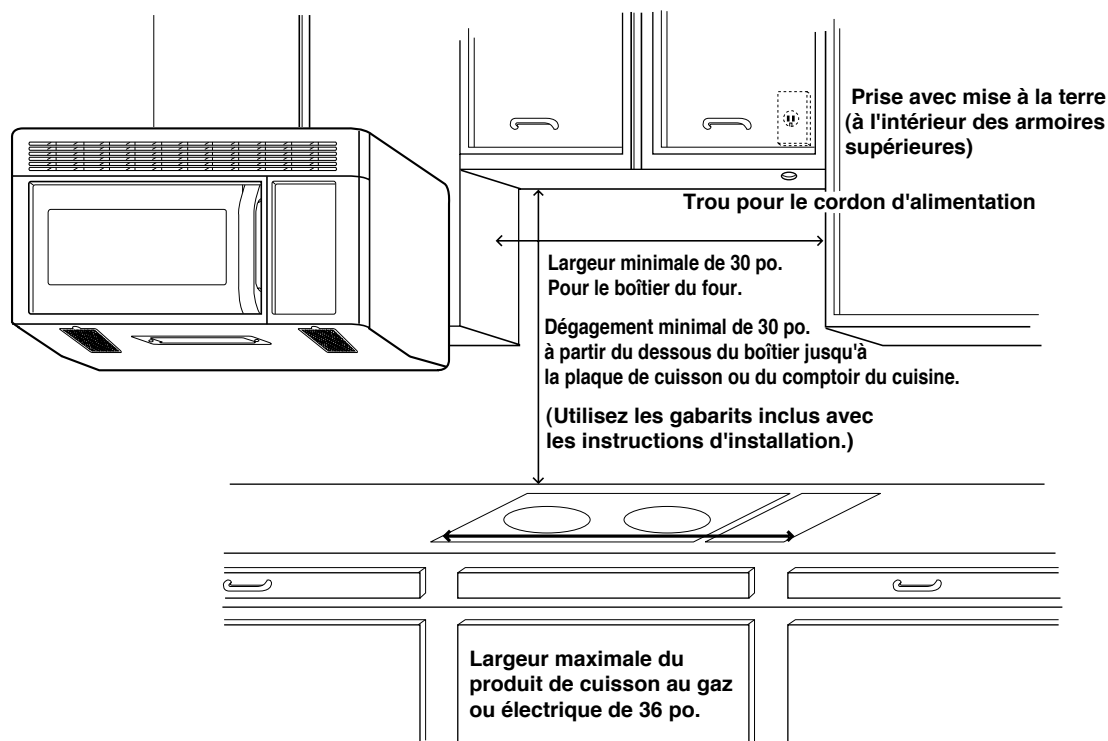


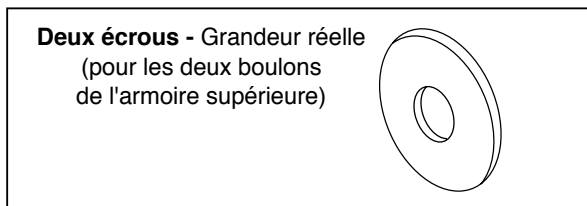
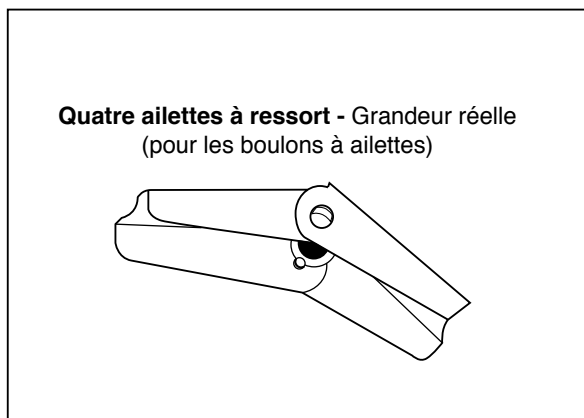
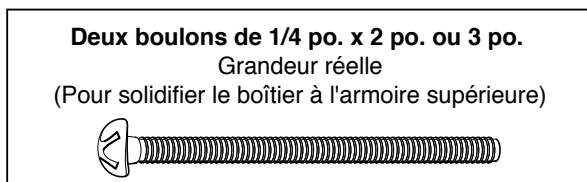
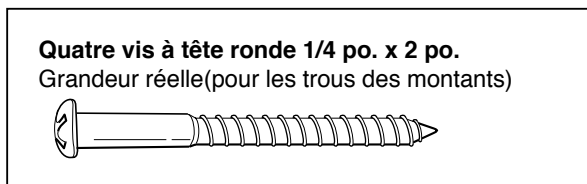
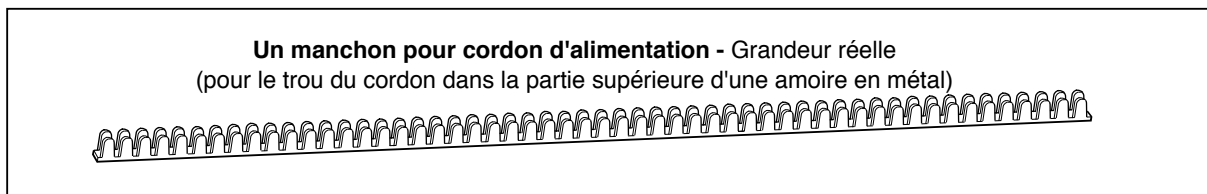
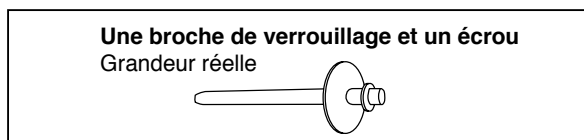
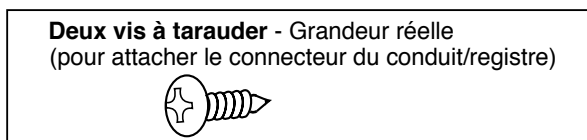
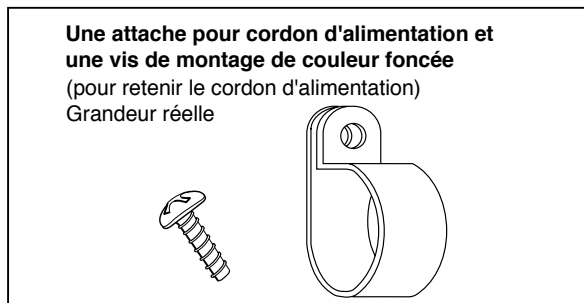
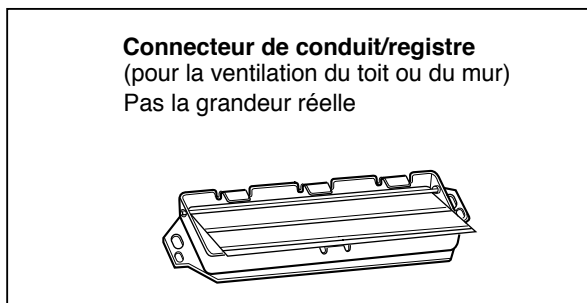
Schéma 3

# Installation

## PIÈCES, OUTILS, MATÉRIAUX

### VOICI LA LISTE DES PIÈCES INCLUSES :

**REMARQUE :** il se peut que vous n'avez pas à utiliser toutes ces pièces, selon vos besoins de ventilation.



**REMARQUE :** Il faut installer au moins deux vis à tête carrée dans un montant 2 po x 4 po et quatre boulons d'ancrage dans le mur. : la surface de montage doit pouvoir soutenir un poids de 150 lbs.



# Installation

## PIÈCES, OUTILS, MATÉRIAUX

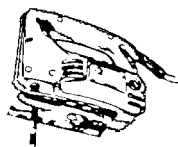
### VOICI LA LISTE DU MATÉRIEL QUE VOUS AVEZ BESOIN POUR FAIRE L'INSTALLATION :

Un morceau de carton ou tout autre matériel épais pour recouvrir le comptoir.

Du ruban adhésif transparent  
(pour coller les gabarits au mur)

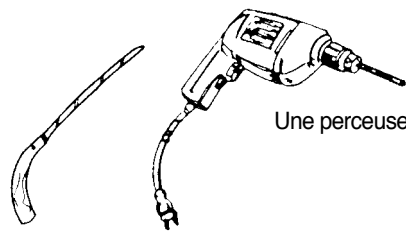


Un détecteur de madriers ou un long clou mince.



Scie sauteuse (pour couper les  
trous de ventilateur pour  
l'aération du toit ou du mur)

Une scie passe-partout (pour le trou du fil d'alimentation)



Une perceuse électrique

Un tournevis Phillips (pour les vis)



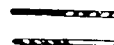
Mèches à bois de 3/8 po. et 3/4 po.



Un crayon



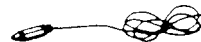
Mèches de 1/2 po.  
et 3/16 po.



Un tournevis plat (pour les boulons)



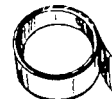
Ligne à plomb



Un ruban à mesurer (de métal, si possible)



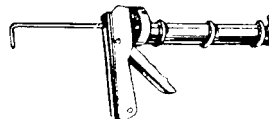
Ruban à conduit



Cisailles à tôle ou de ferblantier



Pistolet à calfeutrer



- Si vos murs sont faits de brique ou de maçonnerie, vous aurez besoin d'outils spéciaux.
- Les conduits dont vous pouvez avoir besoin ne sont pas inclus. Tous les capuchons de mur et de toit doivent avoir un registre pour le retour d'air.

# Installation

## ÉTAPE 1: PRÉPARA RACCORDEMENTS ÉLECTRIQUES

### AVERTISSEMENT

**ÉVITEZ LES RISQUES DE CHOC ÉLECTRIQUE!  
CET APPAREIL DOIT ÊTRE MIS À LA TERRE!**

**Une mauvaise mise à la terre pourrait occasionner un choc électrique ou des blessures graves.**

- N'ENLEVEZ PAS, SOUS AUCUN PRÉTEXTE, LA BROCHE DE MISE À LA TERRE DE LA FICHE ÉLECTRIQUE! Cet appareil DOIT être mis à la terre!

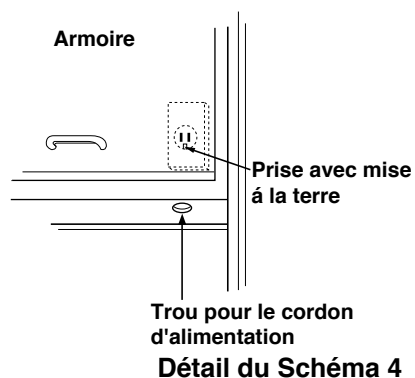
1. Placez la prise de courant avec mise à la terre de ce four dans l'armoire au-dessus du four, tel qu'illustré au schéma 4.

**REMARQUE :** la prise doit être raccordée à un circuit CA de 120V, 60Hz seulement, dédié spécifiquement au four à micro-ondes, avec une tension de 15 ou 20 ampères avec fusibles.

**IMPORTANT :** VOUS DEVEZ faire installer cette prise si vous n'en possédez pas une.

2. Vous pourrez faire le trou pour le cordon d'alimentation (voir le schéma 4) plus tard lorsque vous préparerez le mur et l'armoire supérieure, au cours de l'étape 4.

**REMARQUE :** N'utilisez pas de fil d'extension. Gardez le cordon au sec : ne le pincez pas et ne l'écrasez pas.



# Installation

## ÉTAPE 2: PRÉPAREZ LE SYSTÈME DE VENTILATION

### AVERTISSEMENT - DANGER D'INCENDIE

LA VENTILATION DE CE FOUR DOIT ÊTRE ADÉQUATE!

**REMARQUE :** les conduits dont vous avez besoin pour évacuer l'air ne sont pas inclus avec votre four. Vous trouverez au schéma 9 les types de raccords et les longueurs de conduits.

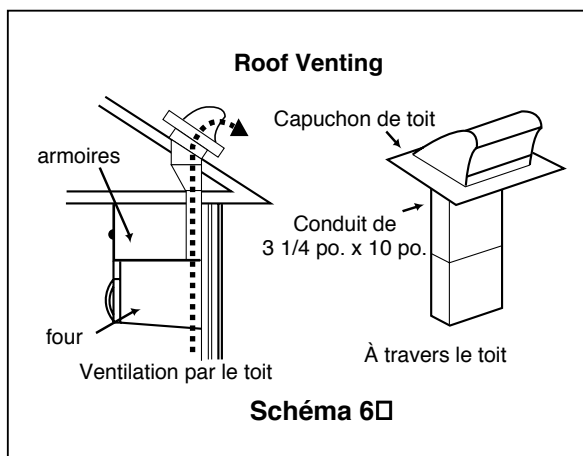
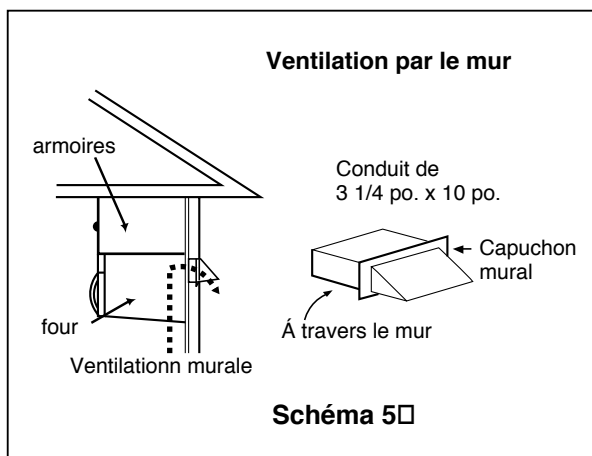
Il y a trois façons d'aérer adéquatement votre four :

**Ventilation par le toit** Si votre four est situé sur un mur extérieur, près du toit, tel que démontré aux schémas 6 (conduit de 3 1/4 po. x 10 po.) et 8 (tuyau rond de 6 po.).

**Ventilation par le mur** Si votre four est situé sur un mur extérieur, au premier étage de votre maison, tel que démontré aux schémas 5 (conduit de 3 1/4 po. x 10 po.) et 8 (tuyau rond de 6 po.).

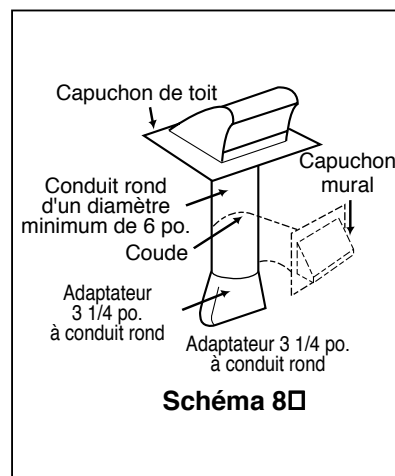
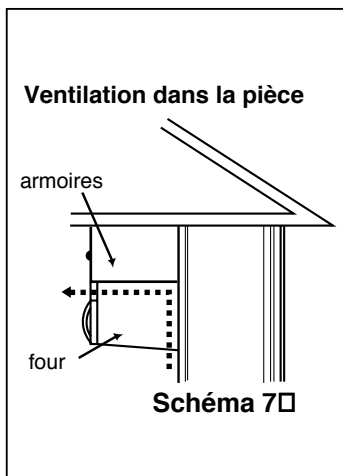
**Ventilateur de la pièce** Si votre four est situé sur un mur interne de votre maison, tel qu'illustré au schéma 7.

**REMARQUE :** si vous choisissez d'évacuer l'air par l'arrière (sur le toit ou au mur), assurez-vous de posséder le dégagement nécessaire pour accommoder le conduit d'échappement à l'intérieur du mur.



### N'OUBLIEZ PAS CECI LORSQUE VOUS INSTALLEZ LE SYSTÈME DE VENTILATION:

- Gardez la longueur des conduits et le nombre de coudes et de raccords à un minimum afin que la ventilation s'effectue efficacement. Référez-vous aux exemples de la page prochain.
- Conservez la même grandeur de conduits.
- N'installez pas deux coudes côte à côte.
- Utilisez du ruban à conduits afin de sceller tous les joints du système de ventilation.
- Utilisez du calfeutrage pour sceller le mur extérieur ou l'ouverture du toit autour du capuchon.



# Installation

## ÉTAPE 2: PRÉPAREZ LE SYSTÈME DE VENTILATION

### RACCORDS STANDARDS

**REMARQUE :** si le conduit présent est rond, vous devez utiliser un adaptateur de forme "rectangulaire à rond", en posant un conduit d'extension rectangulaire de 3 po. entre l'ensemble du registre et l'adaptateur afin d'empêcher le registre d'évacuation de coller.

### LONGUEUR DU CONDUIT

La longueur totale du système de conduits, comprenant les conduits droits, coudes, raccords et capuchons de mur ou de toiture **ne doit pas dépasser 140 pieds.**

Pour une performance optimale, n'utilisez pas plus de trois coudes de 90°, et faire en sorte que la longueur soit la plus courte possible.

Vous trouverez ci-dessous les raccords standards ainsi que leurs longueurs équivalentes en pieds.



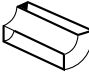

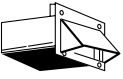

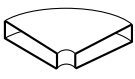
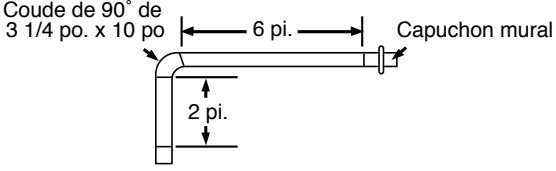
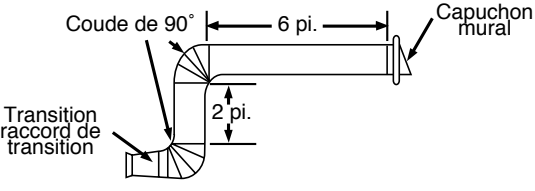
1 □  3 1/4 po. x 10 po. à 6" = 5 pi.	2 □  Capuchon pour toiture de 3 1/4 po. x 10 po. = 24 pi.	3 □  Coude de 90° de 3 1/4 po. x 10 po. = 25 pi.
4 □  Coude de 90° = 10 pi.	5 □  Capuchon mural de 3 1/4 po. x 10 po. = 40 pi.	6 □  Coude de 45° = 5 pi.
		7 □  Coude plat de 3 1/4 po. x 10 po. = 10 pi.

Schéma 9

Afin de calculer la longueur équivalente de chaque morceau de conduit, référez-vous aux exemples ci-dessous.... transition

POUR LES SYSTÈMES DE 3 1/4 PO. X 10 PO.		Exemples		POUR LES SYSTÈMES ROUNDS DE 6 PO.	
					
1 coude à 90° 3 1/4 x 10 po.	= 25 pi.	1 raccord de transition	= 5 pi.		
1 bouche de décharge murale	= 40 pi.	2 coudes à 90°	= 20 pi.		
8 pieds de conduit droit	= 8 pi.	1 bouche de décharge murale	= 40 pi.		
<b>LONGUEUR TOTALE</b>	<b>= 73 pi.</b>	8 pieds de conduit droit	= 8 pi.		
		<b>LONGUEUR TOTALE</b>	<b>= 73 pi.</b>		

# Installation

## ÉTAPE 3: PRÉPARER LA SOUFFLERIE DU VENTILATEUR

### AVERTISSEMENT - DANGER D'INCENDIE

#### RISQUE DE CHOC ÉLECTRIQUE!

- NE TIREZ PAS SUR LE FILAGE DE LA SOUFFLERIE ET N'ÉTIREZ PAS CELUI-CI! Si vous l'étirez vous pourriez risquer de prendre un choc électrique.

Votre four à micro-ondes vous est expédié avec un ventilateur pour toiture. Vous devez ajuster la soufflerie si vous désirez la ventilation murale ou dans la pièce (recirculation d'air).

Retirez les deux vis qui retiennent la plaque de montage au boîtier du four à micro-ondes. Référez-vous au schéma 10. Retirez la plaque et mettez-la de côté.

### INSTALLATION DE LA VENTILATION

#### PAR LE TOIT :

Passez à l'étape 4.

#### INSTALLATION DE LA VENTILATION

#### PAR LE MUR :

1. Retirez une vis de montage et deux vis de la plaque de la soufflerie. Retirez la plaque de la soufflerie du boîtier. Référez-vous au schéma 11.
2. Soulevez soigneusement l'unité de soufflerie et retirez-la du four à micro-ondes.
3. À l'aide de cisailles à tôle ou cisailles de ferblantier, coupez et enlevez les retailles "B". Jetez les retailles. Référez-vous au schéma 12.
4. Remontez le fil de la soufflerie dans le four à micro-ondes. Référez-vous au schéma 13.
5. Rebranchez le fil de la soufflerie dans le four à micro-ondes. Ce fil doit être replacé sous le support. Référez-vous au schéma 14.
6. Replacez l'unité de soufflerie dans le boîtier. Vérifier que les orifices d'évent vers l'arrière sont alignés avec les trous à l'arrière du four. Référez-vous au schéma 15.
7. Réinstallez la plaque de la soufflerie au boîtier de façon à ce que les évents d'évacuation et les ouvertures de la plaque soient alignés. Vissez à l'aide d'une vis de montage de l'unité de soufflerie et les deux vis de la plaque de la soufflerie. Référez-vous au schéma 16.

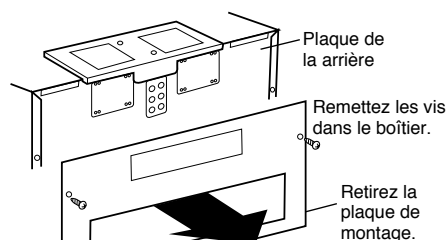


Schéma 10

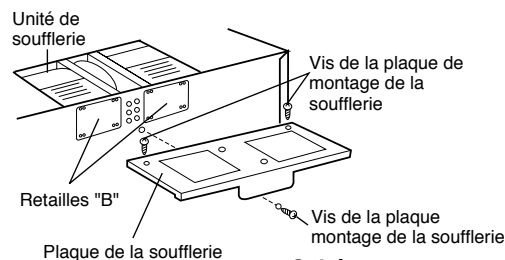


Schéma 11

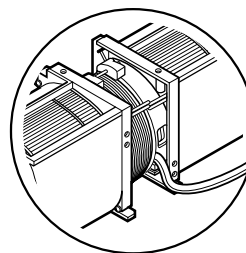


Schéma 13

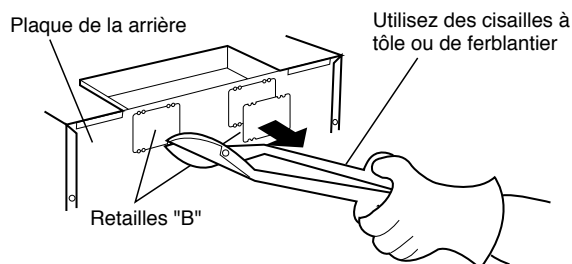


Schéma 12

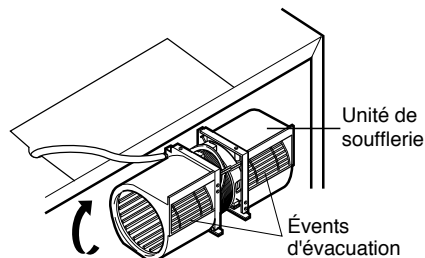


Schéma 14

# Installation

## ÉTAPE 3: PRÉPARER LA SOUFFLERIE DU VENTILATEUR

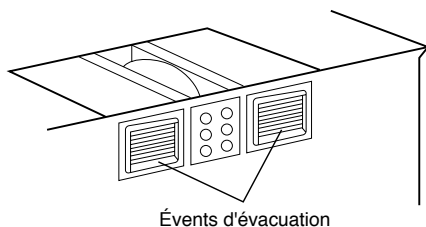


Schéma 15

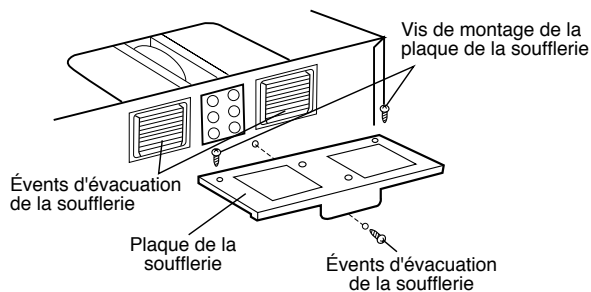


Schéma 16

### VENTILATION DANS LA PIÈCE (recirculation d'air) INSTALLATION:

1. Retirez une vis de montage et deux vis de la plaque de la soufflerie. Retirez la plaque de la soufflerie du boîtier. Référez-vous au schéma 17.
2. Soulevez soigneusement l'unité de soufflerie et retirez-la du four à micro-ondes.
3. Tournez la soufflerie de 90° de façon à ce que les événements d'évacuation se trouvent face au devant de l'appareil. Voir le schéma 18.
4. Replacez la soufflerie dans le four.
5. Réinstallez la plaque de la soufflerie au four à micro-ondes. Vissez à l'aide d'une vis de montage de l'unité de soufflerie et les deux vis de la plaque de la soufflerie. Référez-vous au schéma 19.

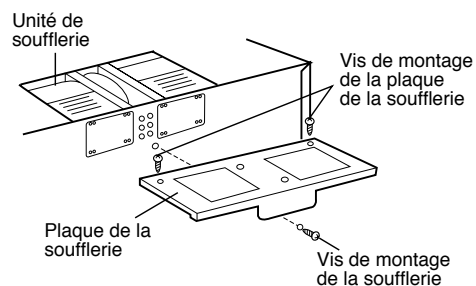


Schéma 17

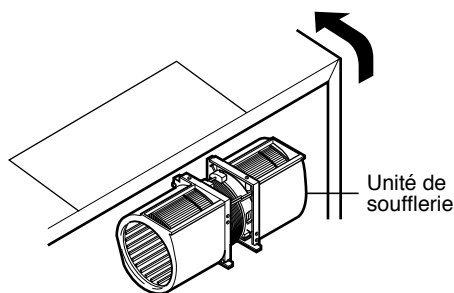


Schéma 18

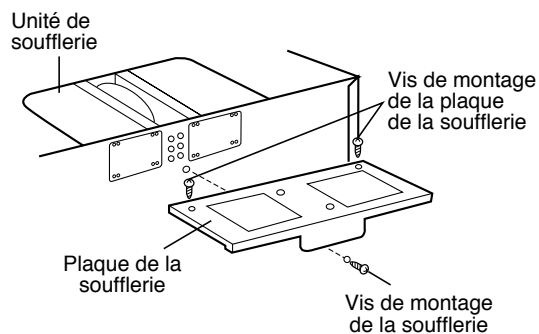


Schéma 19

# Installation

## ÉTAPE 4: PRÉPARATION DU MUR ET DE L'ARMOIRE SUPÉRIEURE AVANT L'INSTALLATION

### MISE EN GARDE

Avant de débiter l'installation du four, PLACEZ UN MORCEAU DE CARTON OU DE TISSUS ÉPAIS (une couverture) sur le comptoir ou sur votre four conventionnel afin de le protéger. **N'utilisez pas de recouvrement de plastique.** Vous pourriez endommager vos biens si vous ne protégez pas adéquatement ces surfaces.

### AVANT DE DÉBUTER

1. Retirez les matériaux d'expédition et toutes les pièces se trouvant à l'intérieur du four à micro-ondes.
2. Recouvrez le comptoir ou la plaque de cuisson d'une épaisse couverture de protection afin de prévenir les dommages et la saleté. Voir le schéma 20.

**REMARQUE :** si vous détenez une cuisinière indépendante, débranchez-la et décollez-la du mur en la faisant glisser sur un carton ou un placoplâtre; ceci vous aidera à vous rapprocher de l'armoire et du mur arrière où vous pourrez prendre vos mesures et percer des trous plus facilement.

### MESUREZ ET BROCHEZ/COLLEZ LES GABARITS AVEC DU RUBAN ADHÉSIF

1. À l'aide de la ligne à plomb et du ruban à mesurer (en métal), trouvez et marquez la ligne verticale du centre sur le mur arrière, tel que démontré au schéma 21.
2. Trouvez et marquez un ou deux endroits où se trouvent les montants (16 pouces les séparent normalement), puis mesurez et marquez l'endroit où se trouvent les montants dans la zone identifiée comme étant "H" sur le gabarit.  
Si vous ne pouvez trouver de montants, consultez un entrepreneur en construction.

### MISE EN GARDE

N'ESSEYER PAS D'INSTALLER CE FOUR À MICRO-ONDES SI VOUS NE TROUVEZ PAS DE MONTANTS.

3. Alignez la ligne à plomb sur le mur avec la ligne centrale du gabarit.  
**REMARQUE :** assurez-vous d'avoir une largeur minimale de 30 po. et que la distance entre le haut du gabarit mural et la cuisinière soit d'au moins 30 po.  
Voir le schéma 21.
4. Brochez ou collez solidement le gabarit au mur avec du ruban adhésif. Référez-vous au schéma 22.  
**REMARQUE :** si les armoires ne sont pas au niveau, ajustez le gabarit selon celles-ci. Si le rebord des armoires est plus bas que l'arrière, ajustez le gabarit pour qu'il soit de niveau avec l'avant des armoires.
5. Mesurez le bas du cadre de l'armoire supérieure. Découpez les rebords "A", "B" et "C" de la partie supérieure du gabarit afin que celui-ci épouse parfaitement l'espace sous l'armoire. Si l'armoire possède un rebord décoratif, découpez le gabarit afin qu'il remplisse tout l'espace du cadre en retrait. Alignez la ligne centrale du gabarit supérieur avec la ligne centrale du gabarit mural; ensuite, brochez ou collez le gabarit supérieur en place. Consultez le schéma 22.

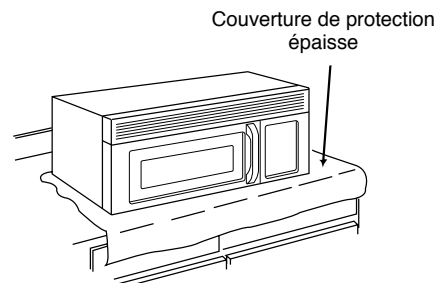


Schéma 20

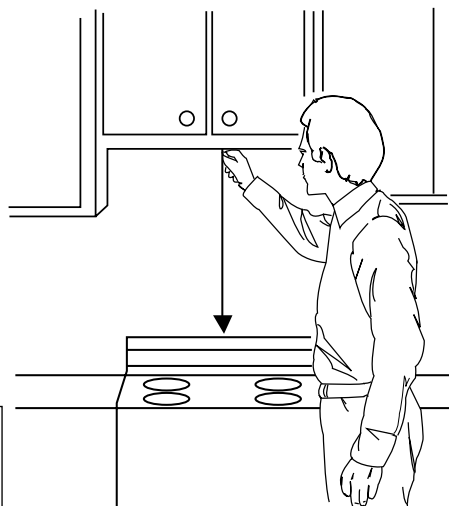


Schéma 21

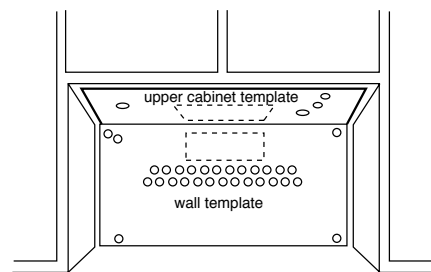


Schéma 22

# Installation

## ÉTAPE 4: PRÉPARATION DU MUR ET DE L'ARMOIRE SUPÉRIEURE AVANT L'INSTALLATION

### AVERTISSEMENT

#### SOYEZ TRÈS PRUDENT LORSQUE VOUS PERCEZ DES TROUS DANS LE MUR.

Des fils électriques peuvent être dissimulés derrière le mur et vous pourrez vous électrocuter si la perceuse touche l'un d'eux.

### PERCEZ LES TROUS DANS LE MUR ET DANS L'ARMOIRE SUPÉRIEURE

1. Trouvez les points "D", "E", "F" et "G" sur le gabarit mural. Percez un trou de 3/16 po. dans n'importe quel point se trouvant devant un madrier. Percez un trou de 3/4 po. si vous percez dans un mur de placoplâtre.
2. Trouvez le madrier le plus près du centre des endroits marqués d'un "H" et d'un "I" sur le gabarit mural. Percez des trous de 3/16 po. dans le montant à chacun de ces endroits. Si vous ne pouvez trouver de montants, percez des trous de 3/4 po. le plus près possible du centre de ces endroits.  
**N'INSTALLEZ PAS le four si vous ne possédez pas de montants dans les endroits marqués d'un "H" et d'un "I", ainsi que directement derrière les points "D", "E", "F" et "G". (Consultez un inspecteur en bâtiments).**
3. Percez un trou de 3/8 po. aux points "J", "K" et "N" sur le gabarit de l'armoire supérieure.  
**REMARQUE** : si le dessous de l'armoire possède un rebord de 3/4 po. ou plus, utilisez des blocs de remplissage de 2 po. x 2 po. (non inclus) afin de mieux soutenir les boulons. Référez-vous au schéma 23.
  - Marquez le centre de chaque bloc et percez un trou de 3/8 po. de diamètre.
  - Alignez les blocs sur les deux ouvertures sur le dessus du boîtier du four à micro-ondes et collez-les sur l'armoire avec du ruban adhésif. Référez-vous au schéma 24.
4. Découpez ou percez un trou de 2 po. de diamètre à l'endroit marqué d'un "M" sur le gabarit supérieur (pour le trou du cordon d'alimentation).  
Si l'armoire est en métal, vous devrez recouvrir les côtés du trou avec le manchon pour le cordon d'alimentation (inclus) afin d'empêcher le cordon de s'écorcher sur les rebords acérés du métal.

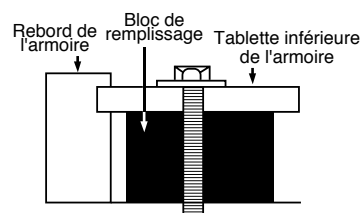


Schéma 23

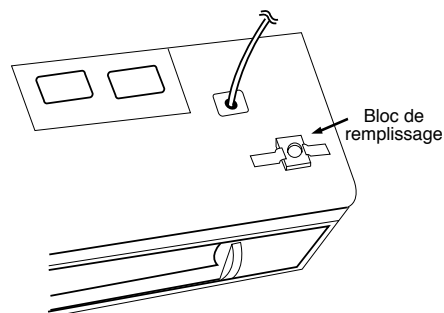


Schéma 24

### AVERTISSEMENT

**VOUS DEVEZ RECOUVRIR LES REBORDS DU TROU POUR LE CORDON D'ALIMENTATION AVEC LE MANCHON PRÉVU À CET EFFET. VOUS RISQUEZ D'ENDOMMAGER LE CORDON ET DE VOUS ÉLECTROCUTER SI VOUS N'OBSERVEZ PAS CETTE DIRECTIVE.**

5. Découpez les zones de ventilation (à l'aide de la scie sauteuse).
  - Ventilation par le toit—découpez l'endroit ombragé marqué d'un "L" sur le gabarit de l'armoire supérieure.
  - Ventilation murale—découpez l'endroit ombragé marqué d'un "O" sur le gabarit mural.
  - Ventilation dans la pièce—passez à l'étape 5, "INSTALLATION DE LA PLAQUE DE MONTAGE" à la page prochain.
6. Terminez le travail de finition du système de ventilation que vous avez choisi. Utilisez un composé de cafeutrage pour sceller l'ouverture du mur extérieur ou du toit autour du capuchon mural ou du capuchon sur le toit.



# Installation

## ÉTAPE 5: INSTALLATION DE LA PLAQUE DE MONTAGE

1. Retirez les gabarits du mur et de l'armoire supérieure.

**REMARQUE :** si vous faites passer le ventilateur par le mur, assurez-vous d'aligner le connecteur/registre à l'arrière de la plaque de montage avec le conduit de 3 1/4 po. x 10 po. Vérifiez si le registre bouge librement. Consultez le schéma 26.

2. Préparez les boulons à ailettes en apposant une ailette à ressort au bout de chaque boulon, tel que démontré au schéma 27.

3. Appuyez la plaque de montage contre le mur et faites aligner les trous de vis. Référez-vous au schéma 28.

**REMARQUE :** rappelez-vous de laisser un espace minime correspondant à l'épaisseur du mur entre la tête du boulon à ailettes et la partie du ressort afin que celle-ci puisse s'ouvrir à l'intérieur du mur, tel que démontré au schéma 29.

4. Trouvez les trous des montants (3/16 po.) et insérez les vis à tête ronde à travers la plaque de montage et dans les trous. Consultez le schéma 30.

5. Insérez les boulons à ailettes à travers les trous du placoplâtre (3/4 po.). Serrez les boulons.

6. Glissez l'écrou dans la broche de verrouillage et placez-les à l'intérieur de l'armoire supérieure. Vous aurez à les utiliser plus tard, selon les directives de la page suivante. Référez-vous au schéma 31.

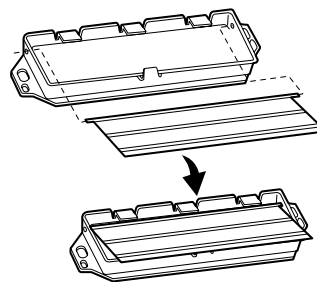
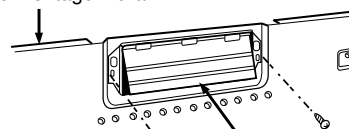


Schéma 25

Plaque de montage mural



Le registre doit être au-dessus de la languette afin de permettre une ventilation adéquate.

Schéma 26

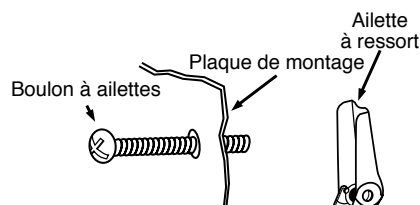


Schéma 27

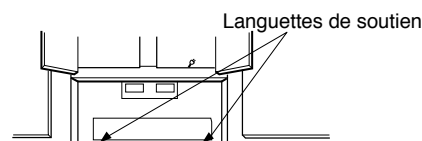


Schéma 28

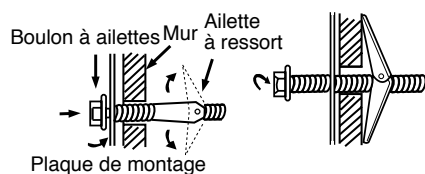


Schéma 29

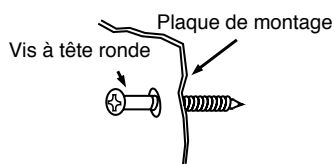


Schéma 30

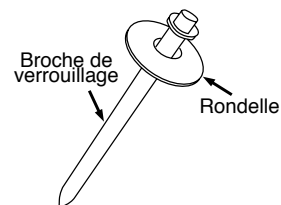


Schéma 31

# Installation

## ÉTAPE 6: INSTALLER LE FOUR AU MUR

### AVERTISSEMENT

**Deux personnes sont requises pour soulever ce four à micro-ondes. Vous risquez de vous blesser gravement si vous tentez de soulever seul l'appareil.**

1. Soulevez doucement le four à micro-ondes et accrochez aux languettes de fixation (voir schéma 28) situées au bas de la plaque de montage. En passant par l'armoire supérieure, faites passer le cordon d'alimentation par le trou au fond de l'armoire. Référez-vous au schéma 32.
2. Tournez le four vers le haut de façon à ce que le dessus du four repose contre le bas de l'armoire supérieure.
3. Enfoncez la broche de verrouillage dans le trou "N" (trou latéral de gauche) et appuyez dessus afin qu'elle descende complètement. Référez-vous au schéma 33.
4. Couronnez deux boulons de 1/4 po. x 3 po. de deux écrous. Ensuite, insérez les boulons dans chacun des trous de l'armoire supérieure. Serrez les boulons à fond jusqu'à ce que le four soit verrouillé en place. Référez-vous au schéma 34.
5. Retirez la broche de verrouillage et la rondelle.  
Si vous sortez la ventilation dans le mur ou dans la pièce, passez au no. 8 à la page suivante.

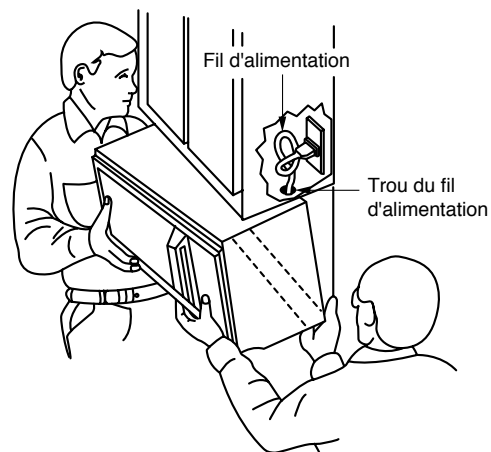


Schéma 32

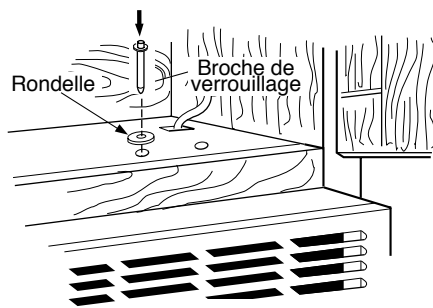


Schéma 33

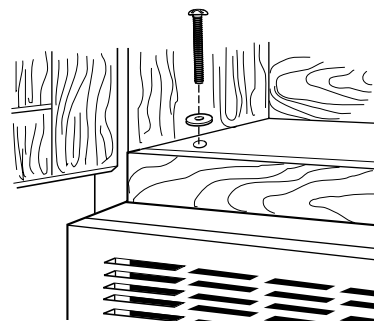


Schéma 34

# Installation

## ÉTAPE 6: INSTALLER LE FOUR AU MUR

6. Installation avec ventilation sur le toit : alignez le connecteur du registre/conduit avec l'ouverture de ventilation sur le dessus du four à micro-ondes. Le registre devrait se trouver par-dessus la languette. Utilisez deux vis à tarauder (de couleur brillante) afin d'attacher le connecteur du registre/conduit au four à micro-ondes. Référez-vous au schéma 36.

**REMARQUE :** le connecteur du registre/conduit doit être raccordé au four à micro-ondes après l'installation de celui-ci.

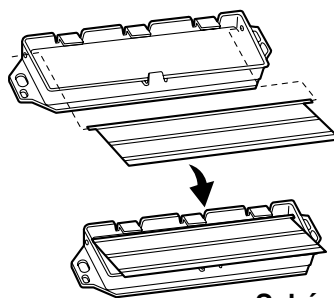


Schéma 35

7. Installation avec ventilation sur le toit : installez le système de conduit à travers l'ouverture de l'armoire. Passez le système de ventilation par le plafond selon la méthode de votre choix. Voir le schéma 37. Consultez l'étape 2 de la section "PRÉPARER LA SOUFFLERIE DU VENTILATEUR", à la page 37. Scellez l'ouverture extérieure sur le toit avec un enduit de calfeutrage, autour du capuchon d'évacuation. Voir le schéma 6 de la page 37.

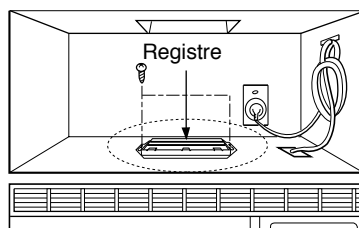
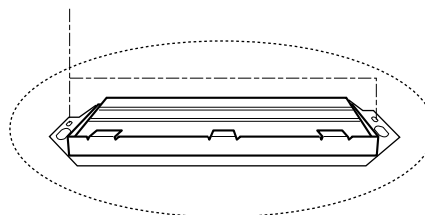


Schéma 36

8. Utilisez la pince du cordon d'alimentation afin d'enrouler celui-ci. Posez la pince du cordon d'alimentation à l'intérieur de l'armoire à l'aide d'une vis, tel que démontré au schéma 37.



Détail du Schéma 36

9. Prenez le filtre en tenant la bague d'une main et l'autre extrémité avec l'autre main. Insérez le bout du filtre sans bague dans l'ouverture et glissez-le vers le centre du four. Insérez le bout du filtre avec bague dans l'ouverture et glissez tout le grillage en direction du côté du four jusqu'à ce que le grillage soit solidement en place. Répétez cette opération pour l'autre filtre. Référez-vous au schéma 38.

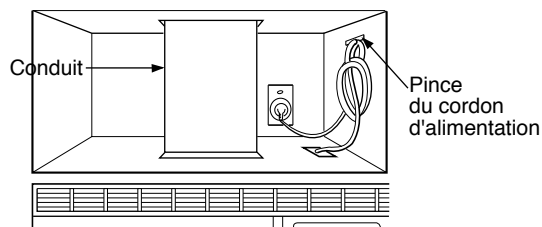


Schéma 37

10. Branchez le cordon d'alimentation dans la prise de courant.

11. Lisez votre guide d'utilisation et d'entretien afin de connaître le fonctionnement de votre four à micro-ondes.

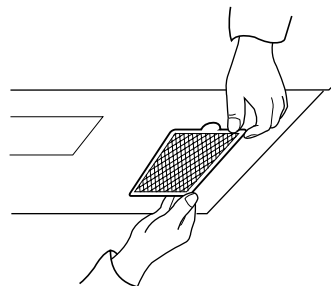


Schéma 38

# Garantie

## FOUR À MICRO-ONDES **Amana**<sup>®</sup> AVEC HOTTE DE VENTILATION GARANTIE COMPLÈTE D'UN AN GARANTIE COMPLÈTE DE CINQ ANS SUR LE TUBE MAGNÉTRON

### PREMIÈRE ANNÉE

Amana Appliances remplacera, y compris la main-d'oeuvre et le déplacement requis, toute pièce (f.à.b. Amana, Iowa) qui s'avère défectueuse en rapport à la main-d'oeuvre ou aux matériaux.

### DEUXIÈME ANNÉE JUSQU'À LA CINQUIÈME ANNÉE INCLUSIVEMENT

Amana Appliances réparera ou remplacera, y compris la main-d'oeuvre et le déplacement requis, un tube magnétron (f.à.b. Amana, Iowa) qui s'avère défectueux en rapport à la main-d'oeuvre ou aux matériaux.

### RESPONSABILITÉS DU PROPRIÉTAIRE:

- Fournir une preuve d'achat. (Reçu de vente)
- Fournir un soin et un entretien normaux, y compris le nettoyage tel qu'indiqué dans le manuel du propriétaire.
- Remplacer les articles remplaçables par le propriétaire, d'après les instructions données dans le manuel du propriétaire.
- Rendre le produit accessible pour le service.
- Payer les coûts de service spécial plus élevés hors des heures ouvrables normales du service.
- Payer les visites de service en relation à l'installation du produit et à l'enseignement du fonctionnement au client.

### SITUATIONS NON COUVERTES

- Entretien et nettoyage normaux du produit.
- Filtres à air perdu ou brisés.
- Ampoule d'éclairage.
- Dommages survenus au cours de la livraison.
- Reconstruction générale ou remise à neuf qui n'est pas une réparation légitime d'après la garantie.
- Pannes causées par:
  - Service non autorisé.
  - Accumulation de graisse ou autres matières par suite du nettoyage ou de l'entretien inapproprié.
  - Dommage accidentel ou intentionnel.
  - Connexion à une source d'alimentation électrique inappropriée.
  - Actes naturels.
  - Fonctionnement d'un four vide.
  - Utilisation d'ustensiles, contenants ou accessoires inappropriés qui causent des dommages au produit.

### LIMITATIONS DE LA GARANTIE:

- Comence à la date de l'achat original.
- S'applique au produit utilisé pour la préparation NORMALE des aliments.
- S'applique au produit utilisé aux É.- U. ou au Canada si le produit est fourni par une agence appropriée homologuée, lorsque l'appareil est expédié de l'usine.
- Le service doit être exécuté par un service autorisé Amana.

### LA GARANTIE EST SANS VALEUR SI:

- La plaque signalétique est endommagée.
- Le produit a été modifié par l'utilisateur.
- Le produit n'est pas installé ou utilisé conformément aux instructions du fabricant.
- Le produit est utilisé sur une base commerciale, loué ou sur location-bail.

### EN AUCUN CAS, AMANA APPLIANCES NE SERA RESPONSABLE POUR LES DOMMAGES FORTUITS OU CONSÉQUENTS\*

\* Cette garantie vous donne des droits légaux spécifiques et vous pouvez avoir d'autres droits qui varient d'un État ou d'une province à l'autre. Par exemple, certains États ne permettent pas l'exclusion ou la limitation de dommages fortuits ou conséquents de sorte que cette exclusion peut ne pas s'appliquer dans votre cas.

Pour des réponses aux questions qui concernent ce qui précède, ou pour localiser un service autorisé Amana, contacter:

Amana Appliances  
2800 220th Trail  
P.O. Box 8901  
Amana, Iowa 52204-0001  
USA  
1-800-843-0304 aux É.-U.  
1-319-622-5511 hors des É.-U.